


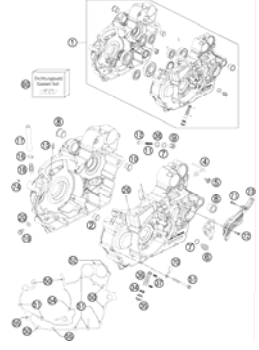
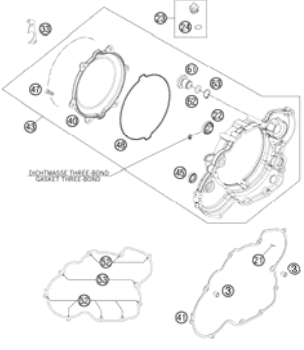

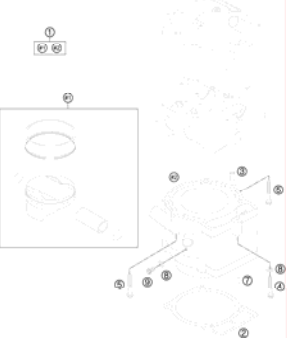
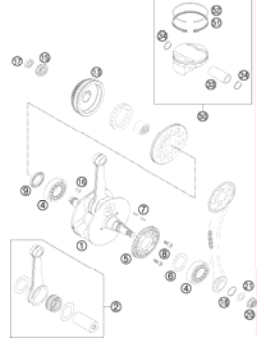
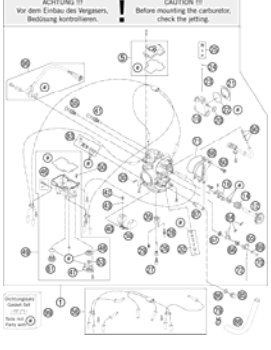

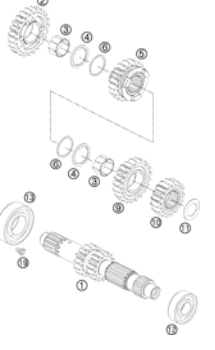
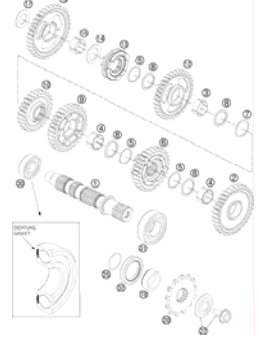

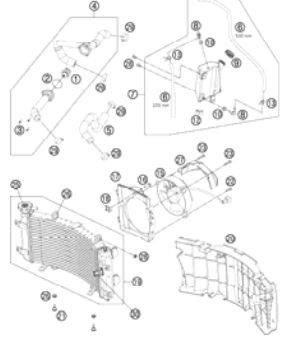
525 XC ATV 2012

SPARE PARTS MANUAL: ENGINE

ART.NO.: 3CM089605LEN

ENGLISH



<p>SPECIAL TOOLS</p>  <p>3</p>	<p>ENGINE CASE</p>  <p>4</p>	<p>CLUTCH COVER</p>  <p>5</p>	<p>BALANCER SHAFT</p>  <p>6</p>
<p>CYLINDER</p>  <p>7</p>	<p>CRANKSHAFT, PISTON</p>  <p>8</p>	<p>CARBURATOR</p>  <p>9</p>	<p>CLUTCH</p>  <p>11</p>
<p>TRANSMISSION I - MAIN SHAFT</p>  <p>12</p>	<p>TRANSMISSION II - COUNTERSHAFT</p>  <p>13</p>	<p>SHIFTING MECHANISM</p>  <p>14</p>	<p>COOLING SYSTEM</p>  <p>16</p>

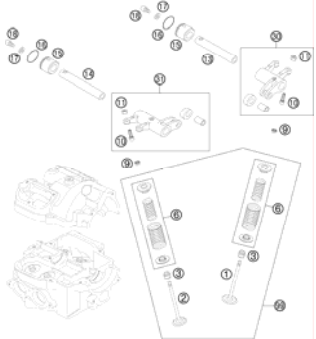
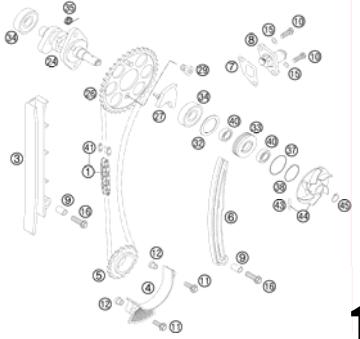
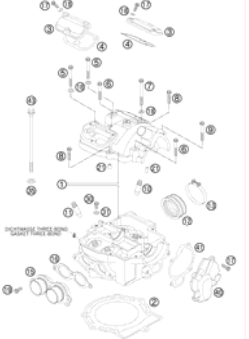
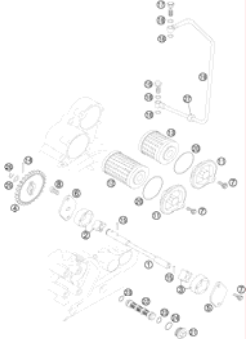
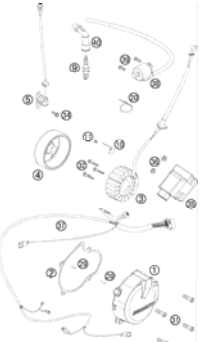
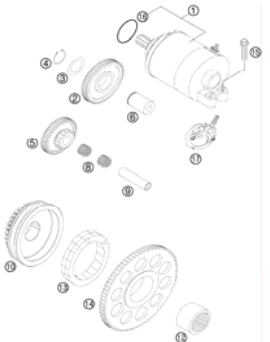
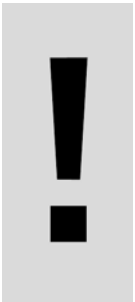
<p>VALVE DRIVE</p>  <p>17</p>	<p>TIMING DRIVE</p>  <p>18</p>	<p>CYLINDER HEAD</p>  <p>19</p>	<p>LUBRICATING SYSTEM</p>  <p>20</p>
<p>IGNITION SYSTEM</p>  <p>21</p>	<p>ELECTRO STARTER</p>  <p>22</p>		
		<p>All information contained is without obligation. KTM-Sportmotorcycle AG particularly reserves the right to modify any equipment, technical specifications, prices, colors, shapes, materials, services, service work, constructions, equipment and the like so as to adapt them to local conditions or to cancel any of the above items, all without previous announcement and without giving reasons. KTM may stop manufacturing certain models without previous notice. KTM shall not be held liable for any deviations of availability and/or ability to deliver, illustrations, descriptions, printing and/or other errors. The illustrated models partly contain extra equipment, which is not applied to standard models. © by KTM-SPORTMOTORCYCLE AG, Mattighofen AUSTRIA; All rights reserved; Reprint, also in extracts, with written allowance of KTM-SPORTMOTORCYCLE AG, Mattighofen only.</p>	



FIG	PART NUMBER	DESCRIPTION	QTY
1	56012001000	ASSY SUPPORT (WITHOUT HOLDER)	1
2	59029002000	ENGINE HOLDER FOR RACING 2000	1
3	59029020000	RIVETTING TOOL TIMING CHAIN	1
4	59029005010	MOUNTING SLEEVE SEAL RING	1
5	51012011000	SPECIAL CIRCLIP PLIER	1
6	59029021044	EXTRACTOR PRIM. GEAR CPL.	1
7	58012015095	PISTON RING COMPRESSOR D=95MM	1
8	6899785	LOCTITE 243 BLUE 6CCM	1
9	15112017000	BUSHING EXTRACTOR	1
10	15112018000	INTERN.BEAR.PULLER 12-16 MM	1
10	15112018100	INTERN.BEAR.PULLER 18-23 MM	1
10	15112018200	INTERN.BEAR.PULLER 5-7 MM	1
11	59029026006	LIMIT PLUG GAUGE F.VAIVE GUIDE	1
12	59029035000	MOUNTING RING FOR INNER CLUTCH	1
13	59029036000	PROTECTION COVER F.MAIN SHAFT	1
14	59029033000	EXTRACTOR FOR TIMING GEAR	1
15	59029019000	VALVE SPRING LEVER	1
16	58429037037	MOUNTING TOOL INNER RING NJ206	1
17	59031017300	MIXT. CONTROL SCREW FACTORY 09	1
18	58012009000	FLYWHEEL EXTRACTOR	1
19	309098	SILICON GASKET THREE-BOND	1
20	51012012000	HOLDING SPANNER FOR SPROCKET	1
21	77029072000	SPARK PLUG KEY 250 SX-F	1
26	50329050000	VENT INJEKTION HYDR. CLUTCH	1
27	58429059000	LOCTITE 648 GREEN 24ML	1
28	59029003100	CLUTCH HOLDER RACING 2004	1
34	77329034000	WRENCH F.MIXTURE CONTROL SCREW	1
35	59029018000	PRESS PUNCH VALVE GUIDE	1
40	0113080802	ENGINE BLOCKING SCREW	1
41	58030080000	LOCATING SCREW M8 L=23	1
42	83029043000	TPS TEST CABLE	1
43	83112001050	ARM F. ENGINE HOLDER CPL.	1

128302910 / C128302910

* NEW PART

X AS REQUIRED

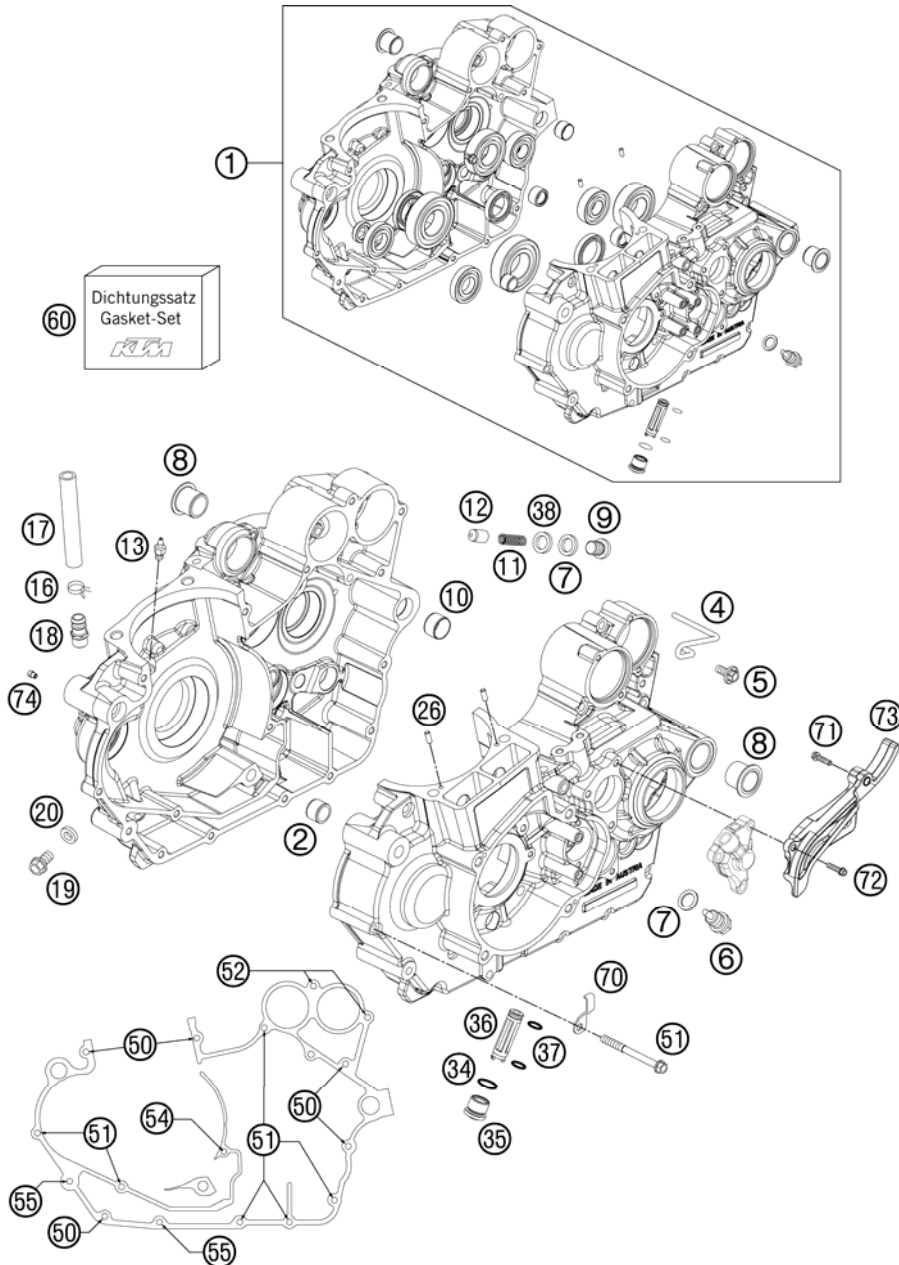


FIG	PART NUMBER	DESCRIPTION	QTY
1	83130000233	ENGINE CASE CPL. W. BEARINGS	1
2	51030026100	DOWEL 17 X 13 X 12	1
4	59030090000	HANGER FOR VENT HOSE	1
5	0024060156	HH COLLAR SCREW M6X15 TX30	1
6	58030021000	OILDRAIN PLUG W.MAG. M 12X1,5	1
7	58038022000	CU-SEAL RING DIN7603-12X18X1,5	2
8	75030010000	CASE BUSH	2
9	0908120153	PLUG DIN0908-M12X1,5	1
10	59030024000	DOWEL 17 X 19 X 12	1
11	58038023300	PRESSURE SPRING L=25MM D=1MM	1
12	58038028000	VALVE PISTON D=10MM	1
13	60030064070	OIL JET 70 M6X0,75 WS8 03	1
16	58431082100	YDNAC-CLAMP 10173 (16MM) '98	1
17	83031050000	ENGINE BREATHER TUBE	1
18	59030022100	BLEEDER FLANGE M12X1,5 WS=13	1
19	0025080126	HH COLLAR SCREW M8X12 TX40	1
20	58030081000	CU-SEAL RING 8 X 14 X 3	1
26	0402040980	NEEDLE ROL.DIN5402 NRB 4X9,8	2
34	0770120020	O-RING 12,00X2,00 NBR 70	1
35	77038017000	SCREW PLUG	1
36	59038015100	OIL SCREEN 11,8x44,5MM	1
37	0770090015	O-RING 9X1,5 NBR	2
38	0603121830	SEAL RING DIN7603 12X18X3	1
50	0025060456	HH COLLAR SCREW M6X45 TX30	5
51	0025060606	HH COLLAR SCREW M6X60 TX30	6
52	0025060306	HH COLLAR SCREW M6X30 TX30	2
54	0025060756	HH COLLAR SCREW M6X75 TX30	1
55	0025060656	HH COLLAR SCREW M6X65 TX30	2
60	83030099000	GASKET SET CPL. ATV 2007	1
70	83034046000	SUPPORT	1
71	0025080306	HH COLLAR SCREW M8X30 TX40	1
72	0025060306	HH COLLAR SCREW M6X30 TX30	1
73	54803096000	SPROCKET COVER 250 SX 07	1
74	59030058000	JET 100 BING(44-031/180) M4	1

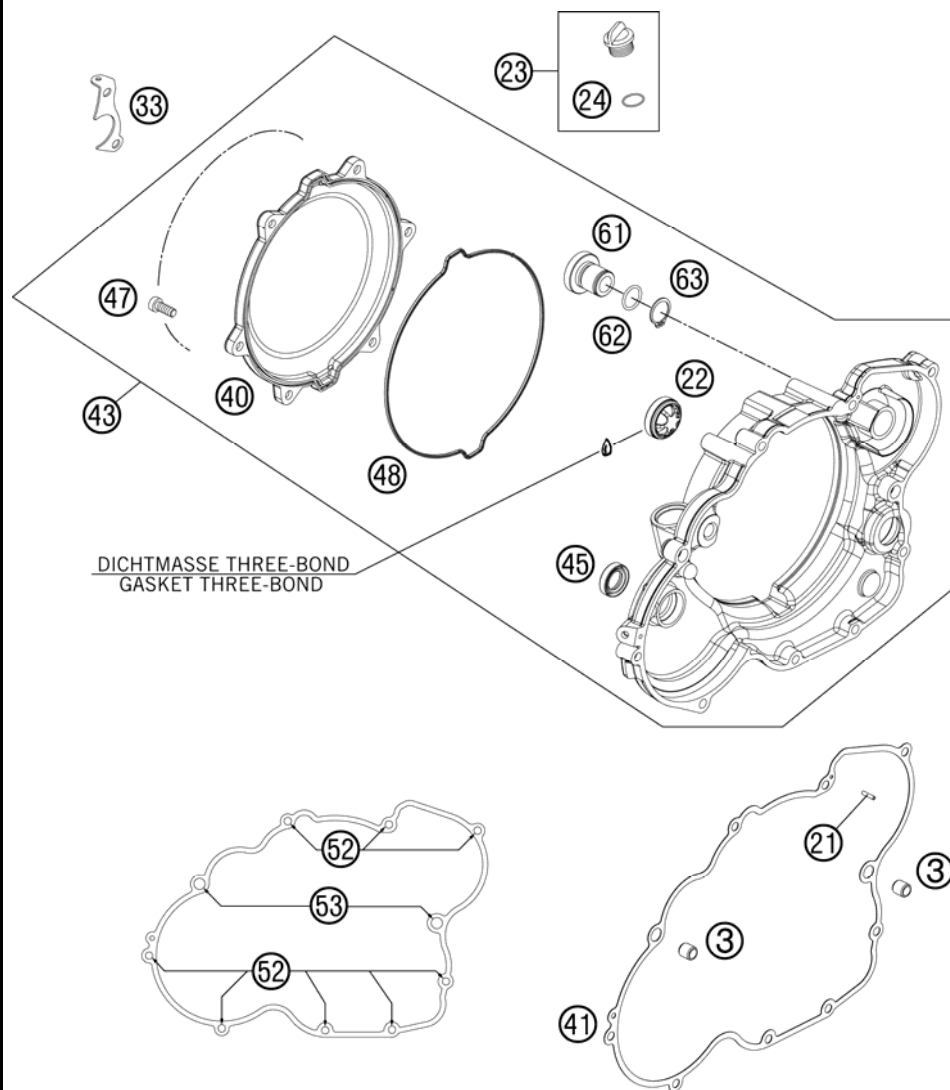
128303010 / C128303010

* NEW PART

X AS REQUIRED

CLUTCH COVER

525 XC ATV 2012



DICHTMASSE THREE-BOND
GASKET THREE-BOND

FIG	PART NUMBER	DESCRIPTION	QTY
3	49030090000	DOWEL 9,8 X 7 X 10	2
21	0402025980	NEEDLE ROLLER DIN5402 2,5X9,8	1
22	59030019100	OIL LEVEL GLASS	1
23	58030020100	PLUG CPL. M24X3	1
24	0770191015	O-RING 19,00X3,00 NBR	1
33	59030001090	RET.BRACKET F.BRAKE LEVER HUB	1
40	5903002600025	OUTER CLUTCH COVER 08	1
41	59030025200	CLUTCH COVER GASKET	1
43	8303000103325	CLUTCH COVER CPL. GREY	1
45	0760142460	SHAFT SEAL RING 14X24X6 B	1
47	0984060163	AH SCREW DIN6912-M 6X16	6
48	59030027000	GASKET F. OUTER CLUTCH COV. 06	1
52	0025060306	HH COLLAR SCREW M6X30 TX30	8
53	0025060356	HH COLLAR SCREW M6X35 TX30	2
61	83033056000	KICK-STARTER PLUG	1
62	0770160021	O-RING 16,00X2,00 VITON	1
63	0471190120	CIRCLIP DIN0471-19X1,2	1

128303020 / C128303020

* NEW PART

X AS REQUIRED

BALANCER SHAFT

525 XC ATV 2012

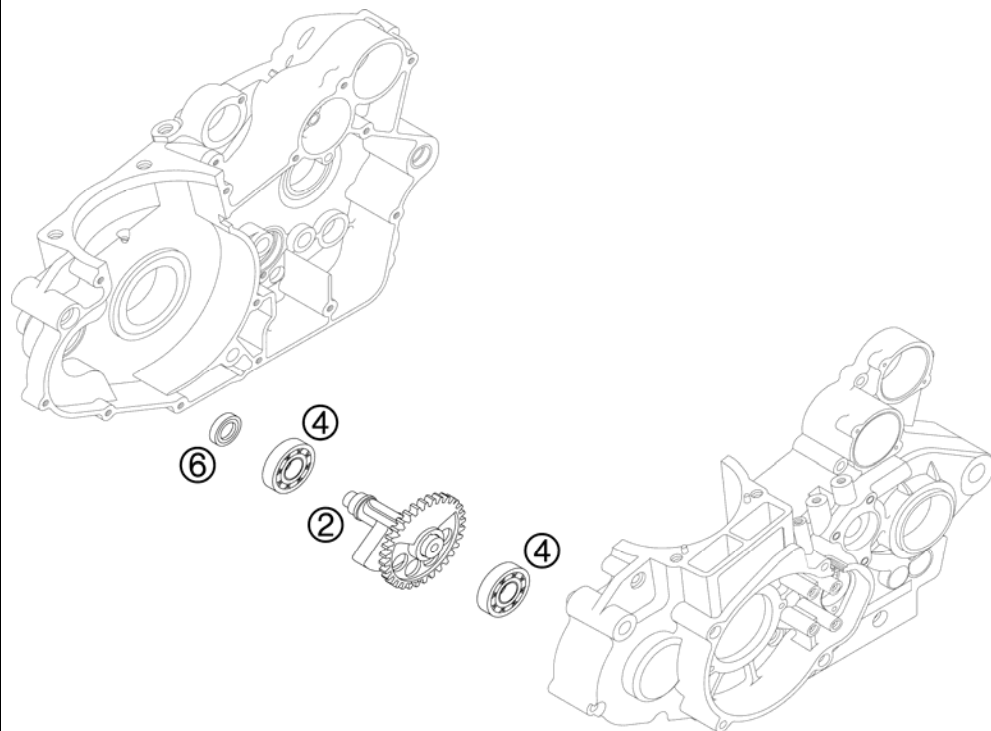


FIG	PART NUMBER	DESCRIPTION	QTY
2	59030057044	BALANCER SHAFT CPL. RAC. 2001	1
4	0625160040	GROOVED BALL BEAR. TM 16004 C3	2
6	0760142460	SHAFT SEAL RING 14X24X6 B	1

128303030 / C128303030

* NEW PART

X AS REQUIRED

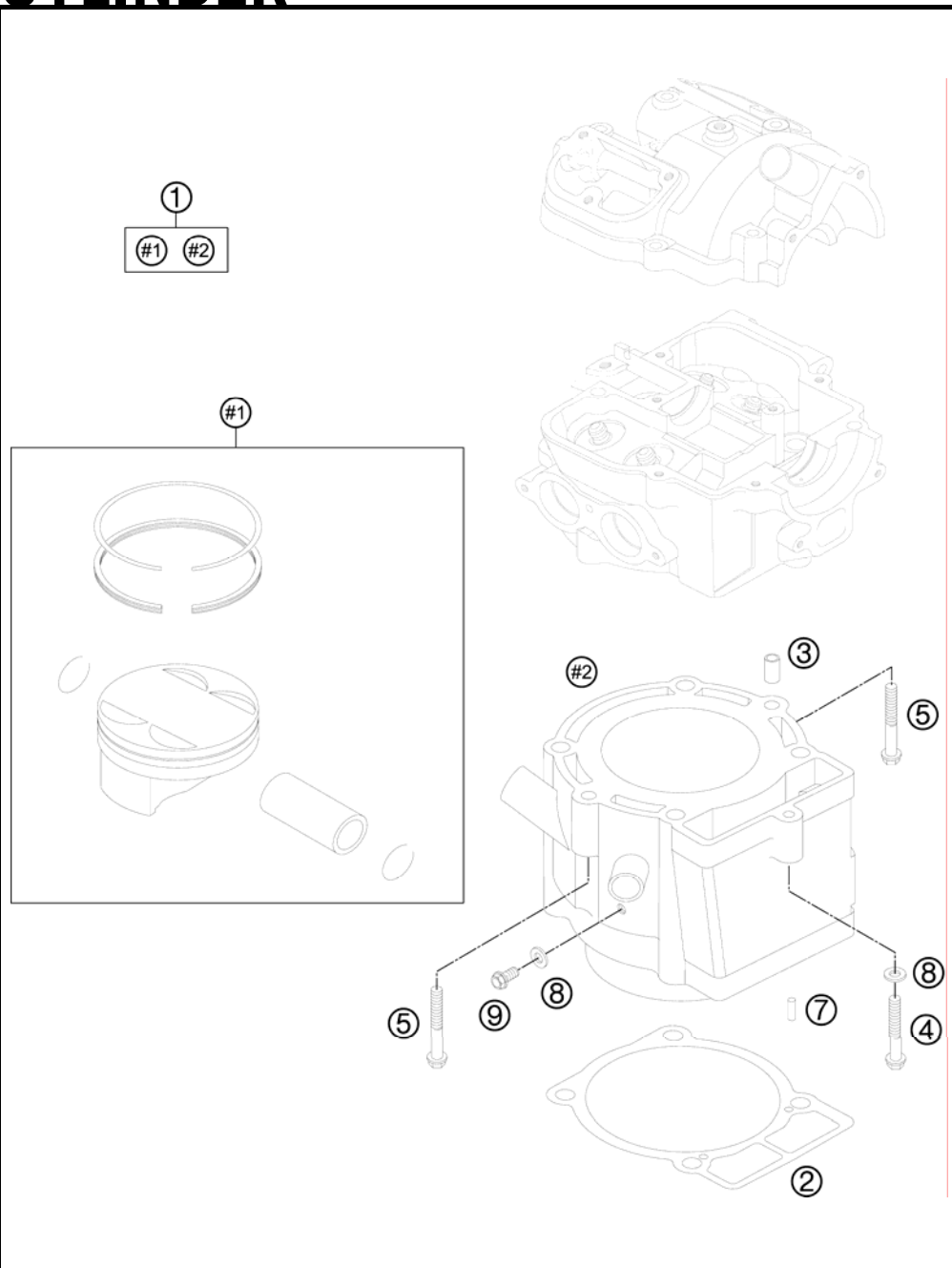


FIG	PART NUMBER	DESCRIPTION	QTY
1	59030038000	CYLINDER AND PISTON 525 04	1
2	59030035050	CYLINDER BASE GASKET 0,5MM	1
3	59030023000	DOWEL 6X8X11,5	2
4	0025060406	HH COLLAR SCREW M6X40 TX30	1
5	0025060456	HH COLLAR SCREW M6X45 TX30	2
7	0402040980	NEEDLE ROL.DIN5402 NRB 4X9,8	2
8	0603061001	CU-SEAL RING DIN7603-6X10X1	2
9	0025060106	HH COLLAR SCREW M6X10 TX30	1

128303040 / C128303040

* NEW PART

X AS REQUIRED

CRANKSHAFT, PISTON

525 XC ATV 2012

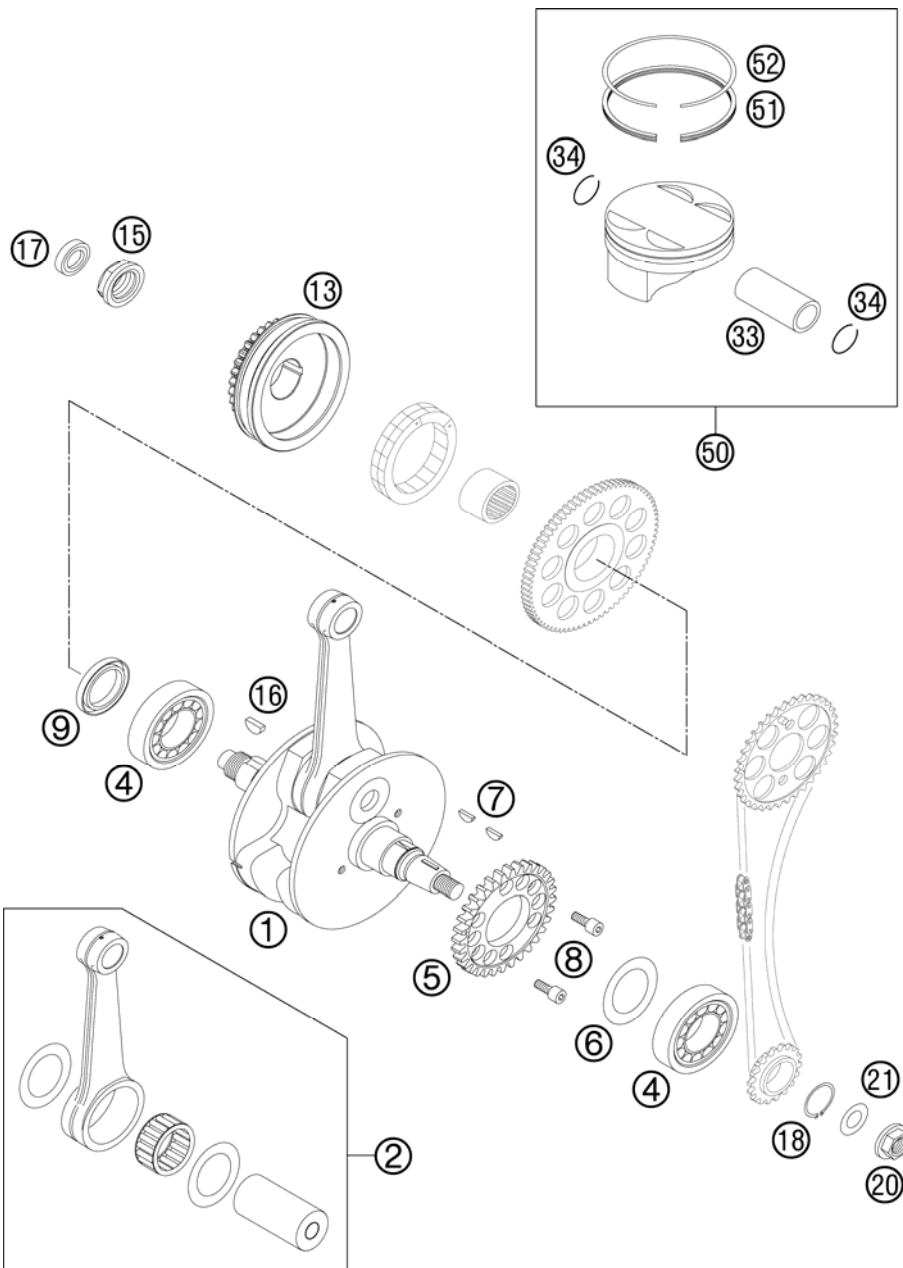


FIG	PART NUMBER	DESCRIPTION	QTY
1	59030118000	CRANKSHAFT CPL. 07 STROKE 72MM, WITHOUT WASHER	1
2	59030015044	CON.ROD REP.SET 250/520 RAC.00 WITH WASHER	1
4	50330082000	CYL.ROLLER BEAR.NJ206 ET2XCS46	2
5	59030055000	DRIVE GEAR 32-T F.BALANC.SHAFT	1
6	56030081000	THRUST WASHER 30,5X45X0,10	x
6	56030081100	THRUST WASHER 30,7X47X0,15	x
6	56030081200	THRUST WASHER 30,5X45X0,30	x
7	0888030050	WOODRUFF KEY DIN6888-3X5X13	2
8	0984060162	AH SCREW DIN7984-M 6X16	2
9	0760304772	SH.SEAL RING 30X47X7 BSL VITON	1
13	83032022031	PRIMARY GEAR 31T CPL.	1
15	59030029100	HH NUR M20X1,5 WS=27 LEFT	1
16	6946005	WOODRUFF KEY 5X6,5 HARDED	1
17	0760142460	SHAFT SEAL RING 14X24X6 B	1
18	0471250120	CIRCLIP DIN0471-25X1,2	1
20	49030021000	COLLAR NUT M12X1 R/S	1
21	0137120000	SPRING WASHER DIN0137-B12	1
33	59030033000	PISTON PIN BOLT 20X15,8/12X50	1
34	59030074000	CIRCLIP C20X1,5	2
50	59030007000 I	PISTON I 95MM CPL. FORGED 2000	1
50	59030007000 II	PISTON II 95MM CPL.FORGED 2000	1
51	58030631000	OIL SCRAPER RING 95MM	1
52	59030032000	RECTANGULAR RING 95/87,2X1,25	1

128303060 / C128303060

* NEW PART

X AS REQUIRED

CARBURATOR

525 XC ATV 2012

ACHTUNG !!!
Vor dem Einbau des Vergasers,
Bedüsung kontrollieren.

CAUTION !!!
Before mounting the carburetor,
check the jetting.

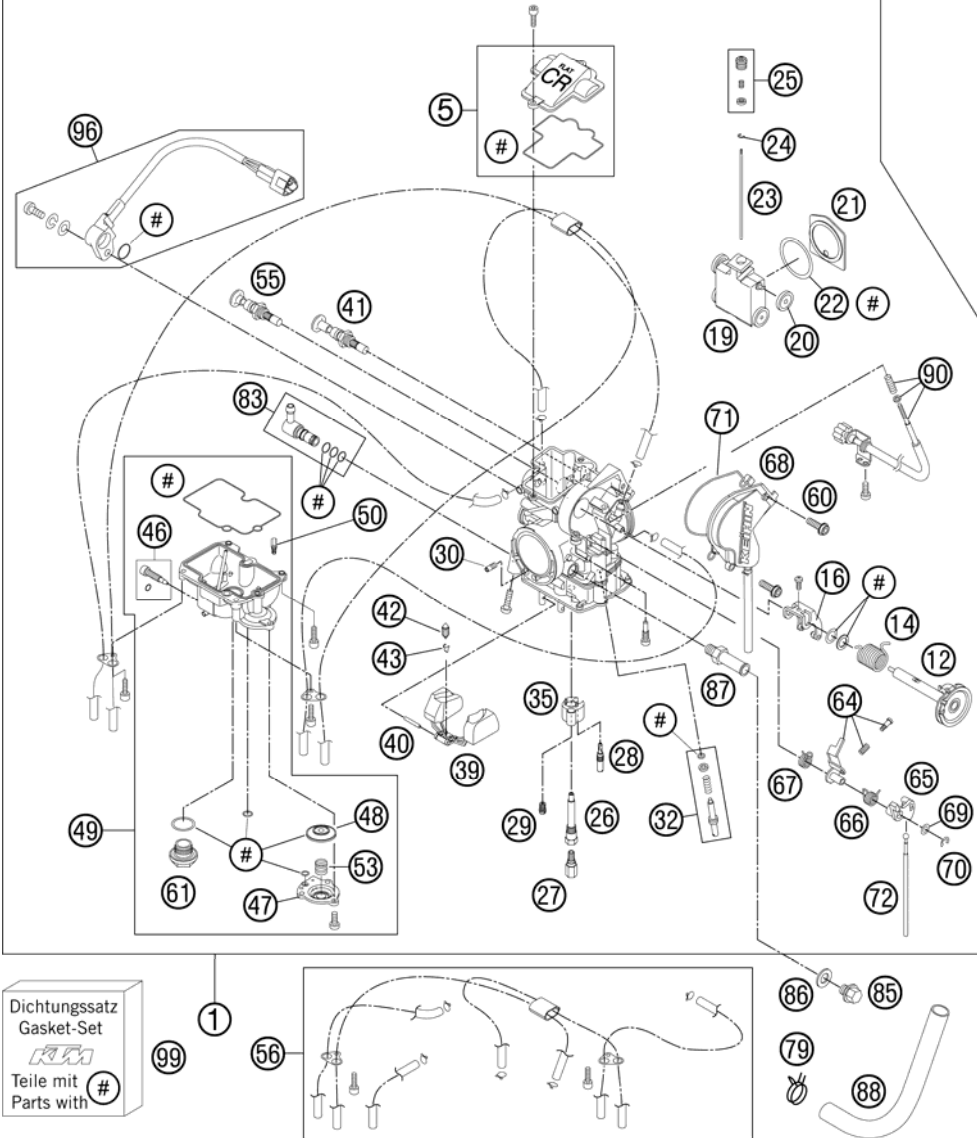


FIG	PART NUMBER	DESCRIPTION	QTY
1	83031001000	CARBURETOR FCR-MX 3925H,TPS 08	1
5	57331027044	CARBURETOR COVER WITH GASKET	1
12	57331046100	THROTTLE SHAFT CPL. 06	1
14	83031046050	COIL SPRING THROTTLE SHAFT ATV	1
16	76231035051	LINK ARM THROTTLE VALVE CPL.07	1
19	57331035100	THROTTLE VALVE CPL. FCRMX 2007	1
20	59031035050	BUSHING THROTTLE VALVE	1
21	57331035153	GASKET PLATE THROTTLE VALVE 04	1
22	59031035052	GASKET WASHER THROTTLE VALVE	1
23	57331034100	JET NEEDLE KEIHIN OBEKP	x
23	57331034200	JET NEEDLE KEIHIN OBEKQ	x
23	57331034300	JET NEEDLE KEIHIN OBEKR	x
23	57331034400	JET NEEDLE KEIHIN OBEKS	x
23	57331034500	JET NEEDLE KEIHIN OBEKT	x
24	59031029000	BAR CLIP	1
25	57331032000	NEEDLE SET SCREW CPL.	1
26	59031121000	NEEDLE JET FCR-MX	1
27	54531623165	MAIN JET 165 KEIHIN	x
27	54531623168	MAIN JET 168 KEIHIN	x
27	54531623170	MAIN JET 170 KEIHIN	x
27	54531623172	MAIN JET 172 KEIHIN	x
27	54531623175	MAIN JET 175 KEIHIN	x
27	54531623178	MAIN JET 178 KEIHIN	x
27	54531623180	MAIN JET 180 KEIHIN	x
28	54531607038	IDLE JET 38 KEIHIN	x
28	54531607040	IDLE JET 40 KEIHIN	x
28	54531607042	IDLE JET 42 KEIHIN	x
28	54531607045	IDLE JET 45 KEIHIN	x
29	59031051085	STARTER JET 85	x
30	57331107100	IDLE AIR JET 100 KEIHIN	1
32	59031017100	ADJUST SCREW CPL. FCR-MX	1
35	57331085000	BUFFER PLATE	1
39	57331009000	FLOAT CPL.	1
40	57331008000	ARM PIN FLOAT	1
41	57331075100	HOT-STARTER VALVE CPL. 06	1

128303110 / C128303110

* NEW PART

X AS REQUIRED

ACHTUNG !!!
Vor dem Einbau des Vergasers,
Bedüsung kontrollieren.

CAUTION !!!
Before mounting the carburetor,
check the jetting.

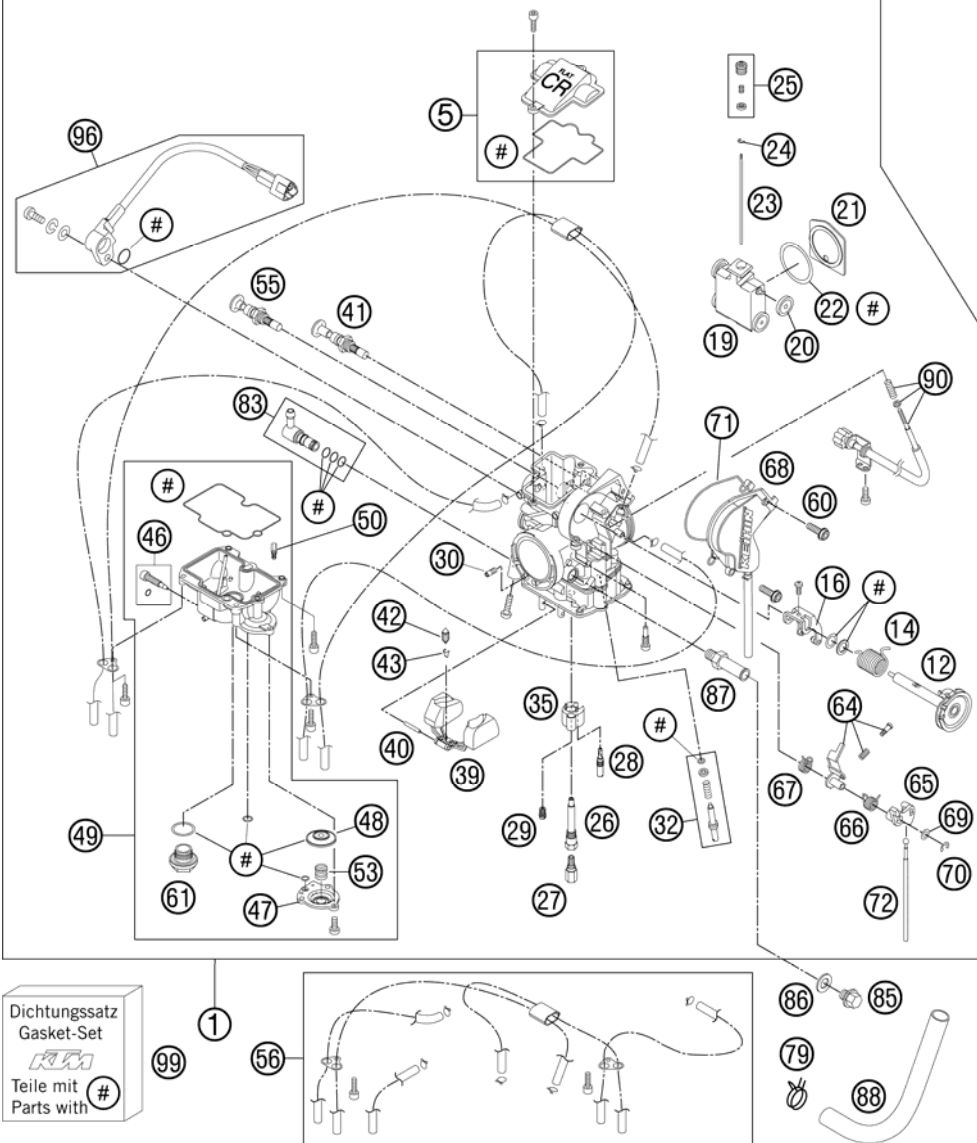


FIG	PART NUMBER	DESCRIPTION	QTY
42	54631220000	FLOAT NEEDLE	1
43	54531621000	CLAMP	1
46	76231155000	DRAIN SCREW + O-RING	1
47	57331060000	COVER ACCELERATOR PUMP	1
48	57331057100	DIAPHRAGM ACCELERATOR PUMP	1
49	78031011000	FLOAT CHAMBER CPL. 08	1
50	54631085000	JET POWER JET CLOSED KEIHIN	x
53	59031059000	COIL SPRING	1
55	77031048000	STARTER VALVE SHORT CPL.	1
56	57331098000	BREATH.HOSE FCR-MX KEIHIN CPL.	1
60	83031094000	SCREW FOR COVER	2
61	54531699000	PLUG M 18X1	1
64	57331062000	INTERMEDIATE LEVER CPL.	1
65	57331056000	LINK LEVER	1
66	57331059000	SPRING LINK LEVER	1
67	57331159000	SPRING INTERMEDIATE LEVER	1
68	83031038000	COVER, GASKET, HOSE	1
69	57331087000	WASHER LINK LEVER	1
70	57331084000	E-CLIP	1
71	83031038001	GASKET FOR CARBURETOR COVER	1
72	57331061000	ROD ACCELERATOR PUMP	1
79	58431082100	YDNAC-CLAMP 10173 (16MM) '98	1
83	59031013044	HOSE CONNECTOR CPL.	1
85	0910100003	PLUG DIN0910-M 10X1	1
86	0603100141	COPPER GASKET DIN7603-10X14X1	1
87	59031040300	HOSE CONNECTOR KEIHIN	1
88	83031050000	ENGINE BREATHER TUBE	1
90	57331025000	STOP SCREW CPL. FCR-MX	1
96	59031077200	TPS-SENSOR FCRMX 190MM 2006	1
99	57331099000	GASKET SET FCR-MX KEIHIN	1

128303110 / C128303110

* NEW PART

X AS REQUIRED

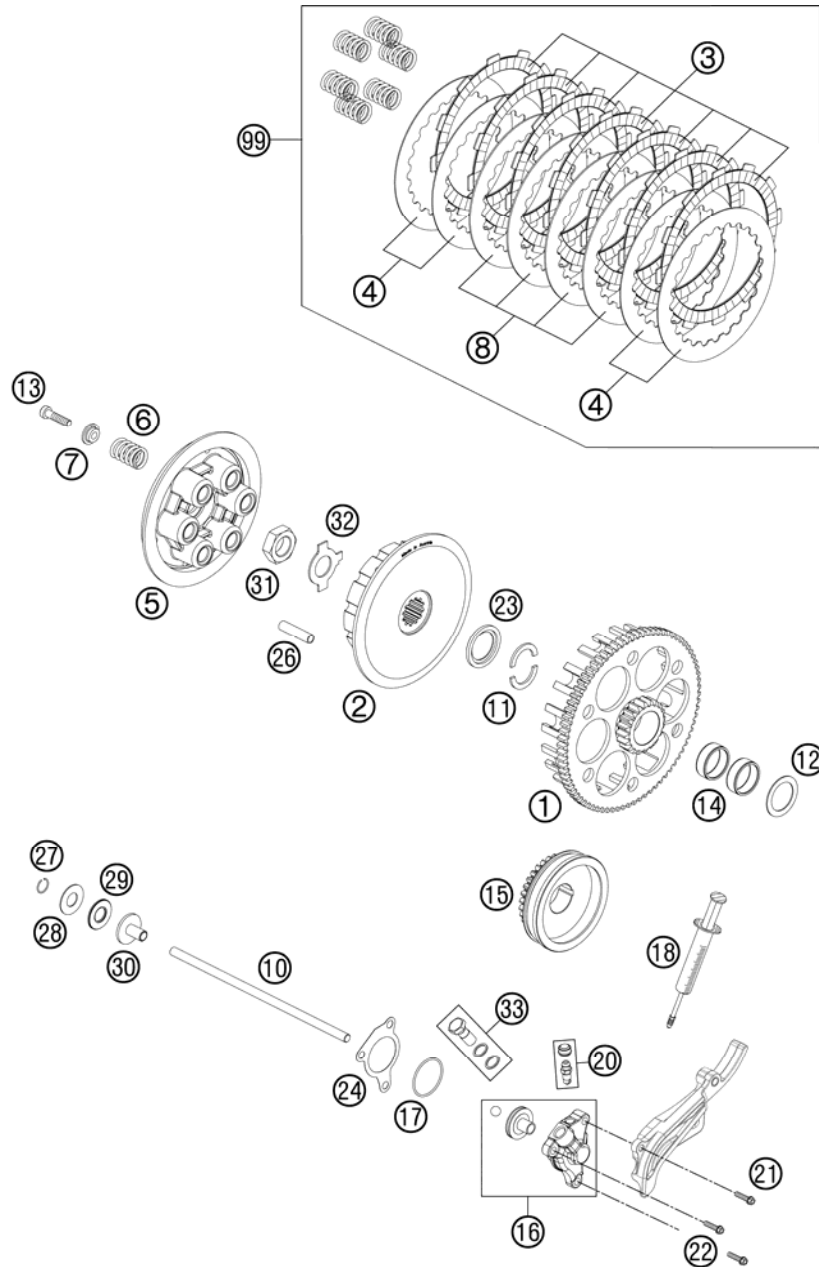


FIG	PART NUMBER	DESCRIPTION	QTY
1	83032000078	CLUTCH CAGE 75 T	1
2	59032002500	INNER HUB - RACING 2007	1
3	59032011100	LINING DISC 2MM 04	7
4	59032010100	INTERMEDIATE DISC 1MM 2002	4
5	59032003500	PRESSURE CAP WITH OIL BORE 07	1
6	59032005000	CLUTCH SPRING 2,5X43MM	6
7	59032006050	SPRING RETAINER 6,2X12X18X5,2	6
8	59032010200	INTERMEDIATE DISC 1,4MM 2002	4
10	83032054000	PUSH ROD L=201MM 07	1
11	59032007000	HALF-WASHER 03	2
12	59032017000	SUPPORT WASHER 25X35X1	1
13	0984060252	AH SCREW DIN6912 M6X25	6
14	0405252910	NEEDLE BEAR K 25X29X10	2
15	83032022031	PRIMARY GEAR 31T CPL.	1
16	75032061044	OUTPUT CYL. WITH BLEEDER SCREW	1
17	0770300015	O-RING 30,00X1,50 NBR 70	1
18	50329050000	VENT INJEKTION HYDR. CLUTCH	1
20	54732064000	BLEEDER SCREW WITH CAP	1
21	0025060306	HH COLLAR SCREW M6X30 TX30	1
22	0025060206	HH COLLAR SCREW M6X20 TX30	2
23	59032009000	STEPPED WASHER 03	1
24	59032065000	GASKET FOR SLAVE CYLINDER	1
26	59032004300	DRIVING SLEEVE D=8, L=33 06	12
27	0993012000	CIRCLIP DIN7993-RW12	1
28	54637098200	AXIAL WASHER AS1226 12X26X1	1
29	54637097200	AXIAL NEEDLE BEARING AXK 1226	1
30	50332054051	PRESSURE PIECE 125-380 '98	1
31	0936181505	HEXAGON NUT DIN0936-M18X1,5 R.	1
32	56532018000	LOCK WASHER	1
33	59032062000	HOLLOW SCREW + COPPER GASKET	1
99	59032011010	CLUTCH KIT 400-525 4T 06-11	x

128303210 / C128303210

* NEW PART

X AS REQUIRED

TRANSMISSION I - MAIN SHAFT

525 XC ATV 2012

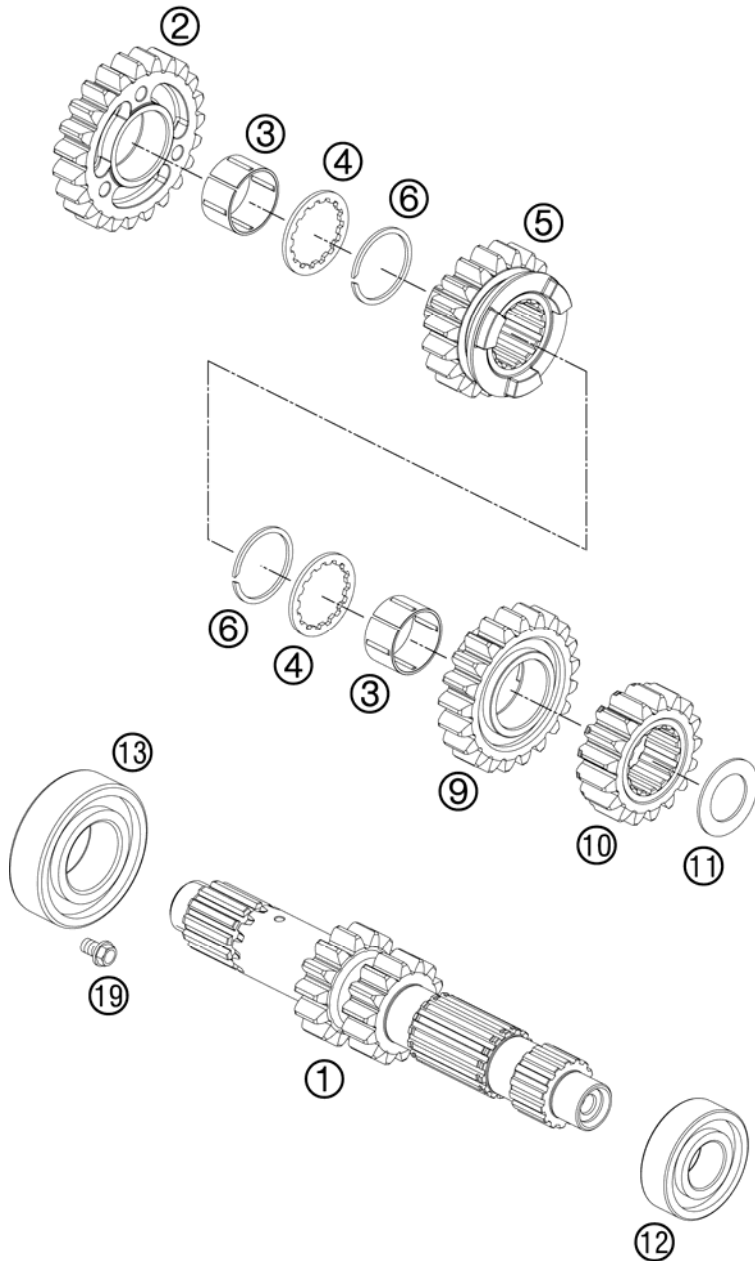


FIG	PART NUMBER	DESCRIPTION	QTY
1	83033001100	MAIN SHAFT 14T 07	1
2	83033005000	IDLER GEAR 5.G 23T 07	1
3	83033043000	NEEDLE BEAR. 21X25X13 SLOTTED	2
4	83033023000	STOP DISK 22,6X30X1,5 15T	2
5	83033003000	SLIDING GEAR 3. G. 19T 07	1
6	0417025000	CIRCLIP SW25	2
9	83033004000	IDLER GEAR 4.G 21T 07	1
10	83033002000	SOLID GEAR 2.G 17T 07	1
11	83033024000	STOP DISK 17,2X27,7,X1	1
12	0625062035	BALL BEARING 6203 JR2 C3	1
13	0625062054	BALL BEARING 6205 C3 NTN	1
19	0025060086	HH COLLAR SCREW M6X8 TX30	1

128303330 / C128303330

* NEW PART

X AS REQUIRED

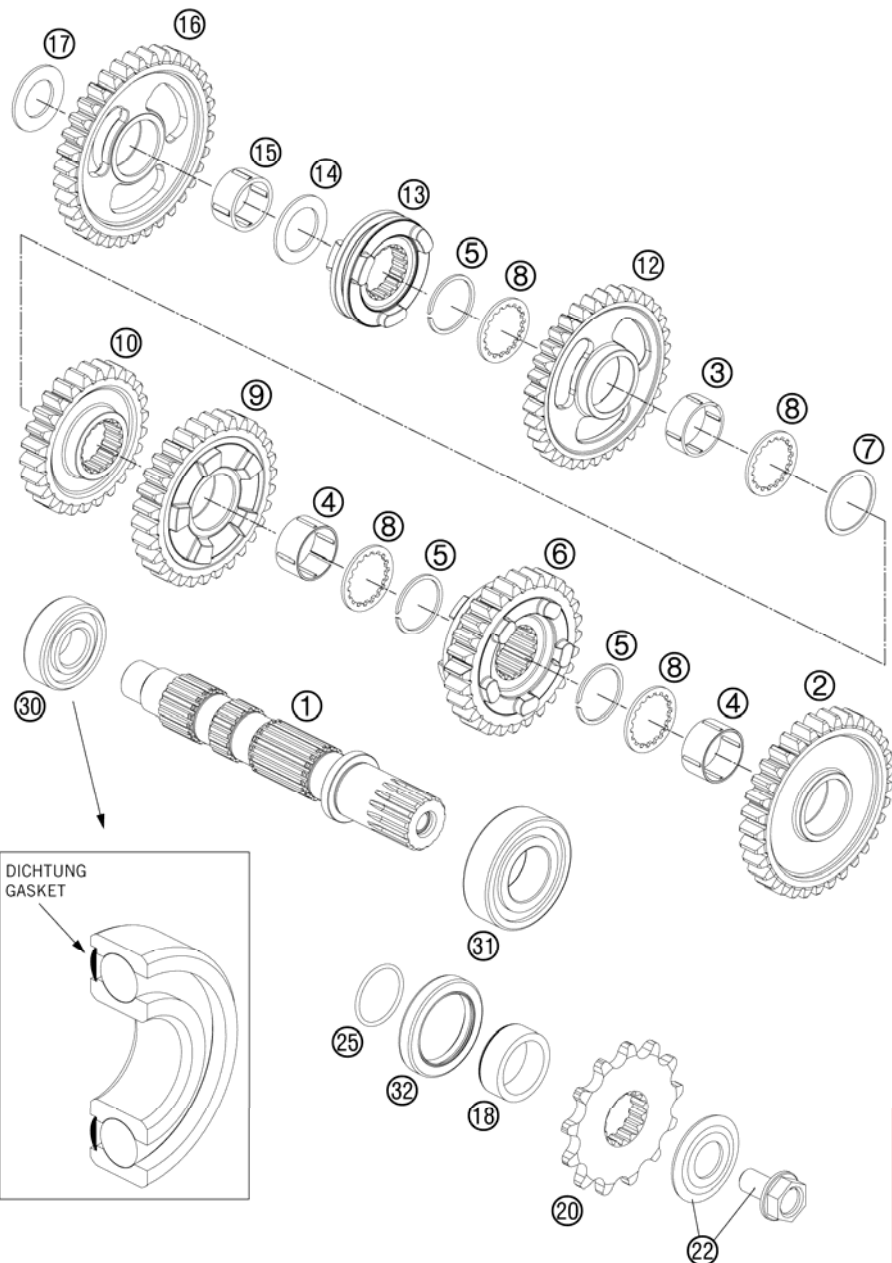


FIG	PART NUMBER	DESCRIPTION	QTY
1	83133010000	COUNTERSHAFT 08	1
2	83033012000	IDLER GEAR 2.G. 33T 07	1
3	83033042000	NEEDLE BEAR. 22X26X10 SLOTTED	1
4	83033041000	NEEDLE BEAR. 22X26X13 SLOTTED	2
5	0417025000	CIRCLIP SW25	3
6	83033014000	SLIDING GEAR 4. G. 28T 07	1
7	83033032000	DISTANCE DISK 25X30X0,2	x
7	83033033000	DISTANCE DISK 25X30X0,3	x
8	83033022000	STOP DISK 22,6X30X1,5 18T	4
9	83033013000	IDLER GEAR 3.G. 30T 07	1
10	83033015100	SOLID GEAR 5.G. 26T 07	1
12	83033018100	IDLER GEAR REVERSE-GEAR 07	1
13	83033017000	SLIDING SLEEVE REVERSE-GEAR 07	1
14	83033025000	STOP DISK 20,2X31,X1,5	1
15	83033044000	NEEDLE BEAR. 22X26X12	1
16	83033011000	IDLER GEAR 1.G. 35T 07	1
17	49032012000	STOP DISK 17,2X30X1,5	1
18	54633014100	SPACER BUSHING 12MM	1
20	50033029013	FRONT SPROCKET 13-T	x
20	50033029014	FRONT SPROCKET 14-T	x
20	50033029015	FRONT SPROCKET 15-T	x
22	59033034044	SCREW 10.9+SPRING WASHER	1
25	0770020220	O-RING 25,12X1,78 NBR70	1
30	0625062036	BALL BEARING 6203 RSH C3	1
31	49030023000	CYL.ROLL BEARING NJ205	1
32	0760324571	SHAFT SEAL RING 32X45X7 BSLNBR	1

128303360 / C128303360

* NEW PART

X AS REQUIRED

SHIFTING MECHANISM

525 XC ATV 2012

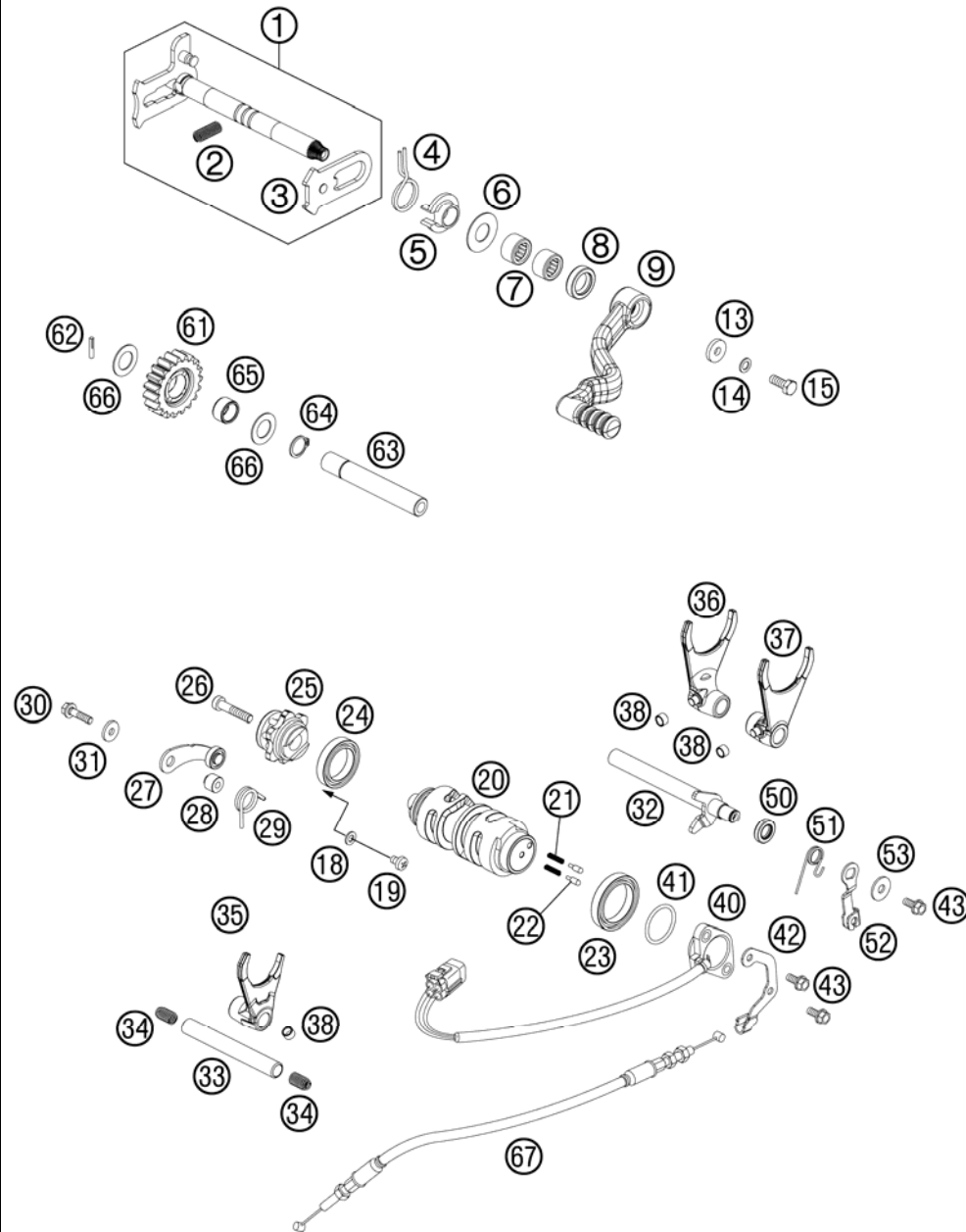


FIG	PART NUMBER	DESCRIPTION	QTY
1	83034005044	SHIFTING SHAFT CPL. 07	1
2	56534013100	TENSIONING SPRING 0,8MM	1
3	54634008044	SLIDING PLATE CPL.	1
4	54634014100	RETURN SPRING 2,2MM '95	1
5	54634020000	SPRING GUIDE	1
6	54634050000	STOP DISK 14X30X1	1
7	54632095000	NEEDLE BEAR.HK 1412 14X20X12	2
8	0760142460	SHAFT SEAL RING 14X24X6 B	1
9	83034031100	SHIFT LEVER CPL. ATV 07	1
13	50232050001	STEEL WASHER 6,4X17X3	1
14	50233041000	PAIR OF WASHERS M 6 NORDLOCK	1
15	59009062016	SPECIAL SCREW M6X16 WS=8 10.9	1
18	0125050003	WASHER DIN0125-A 5,3	1
19	0985050083	FLAT HEAD SCREW DIN7985-M 5X 8	1
20	83034012000	SHIFTING DRUM ATV	1
21	83034014000	CONTACT SPRING 3,6X14MM	1
22	83034037000	CONTACT BOLT	1
23	0625068060	BALL BEARING 6806 C3	1
24	0625618050	BALL BEARING 61805 C3	1
25	59034015144	SHIP DRUM LOCATING CPL.	1
26	0012060303	AH SCREW DIN6912 M6X30 8.8	1
27	77034024044	LOCKING LEVER CPL. 08	1
28	54634052300	SLEEVE FOR LOCKING LEVER	1
29	59034023000	SPRING 2,3MM	1
30	0025050206	HH COLLAR SCREW M5X20 TX30	1
31	0349000050	WASHER DIN7349-5X15X2	1
32	83034120100	SHIFTING ROD WITH LOCK	1
33	77034019000	SHIFTING MAIN L=93MM 05	1
34	58038023200	PRESSURE SPRING 0,9MM	2
35	83034001000	SHIFT FORK	1
36	83034003000	SHIFT FORK	1
37	83034002000	SHIFT FORK	1
38	50334018100	SHIFTING ROLLER 6X8X5,2	3
40	83011023000	GEAR-POSITION SENSOR ATV	1
41	0770251262	O-RING 25,07X2,62 FPM 75SH	1

128303410 / C128303410

* NEW PART

X AS REQUIRED

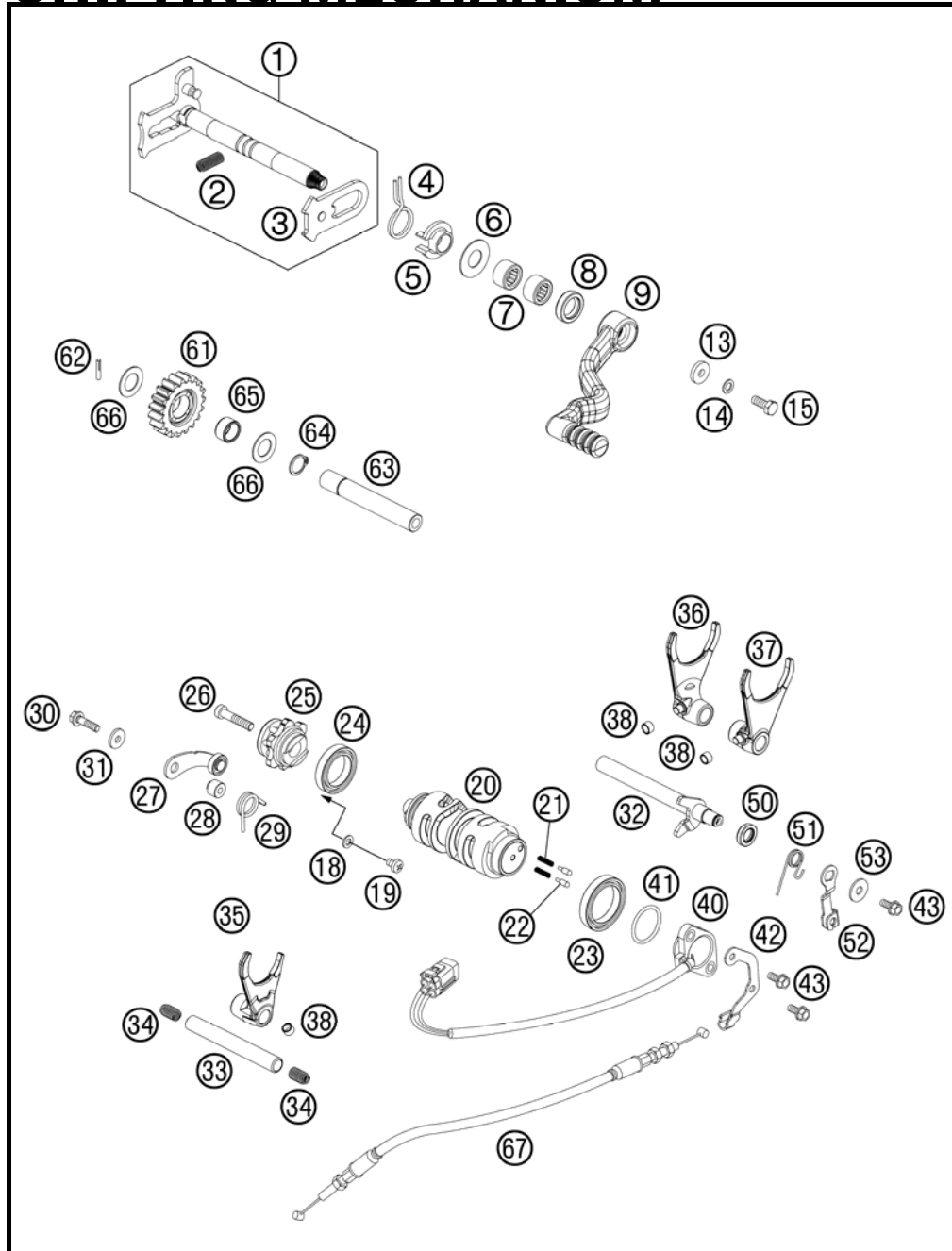


FIG	PART NUMBER	DESCRIPTION	QTY
42	83034045000	ABUTMENT	1
43	0025050166	HH COLLAR SCREW M5X16 TX30	3
50	0760101844	SHAFT SEAL RING 10X18X4 BSL V.	1
51	59036059000	DECOMPRESSION LEVER SPRING	1
52	83134043000	LEVER LOCK-SHAFT	1
53	0021050003	WASHER DIN9021-A 5,3	1
61	83033008102	REVERSE GEAR WHEEL 07	1
62	0472030160	GROOVED PIN DIN1472 3x16	1
63	83033008101	REVERSE GEAR AXLE 07	1
64	0471140100	LOCK WASHER DIN0471-14X1	1
65	0405141810	NEEDLE BEAR. 14X18X10	1
66	83033027000	STOP DISK 14,1X24X1	2
67	83002097000	BUS CABLE F. REVERSE GEAR	1

128303410 / C128303410

* NEW PART

X AS REQUIRED



COOLING SYSTEM

525 XC ATV 2012

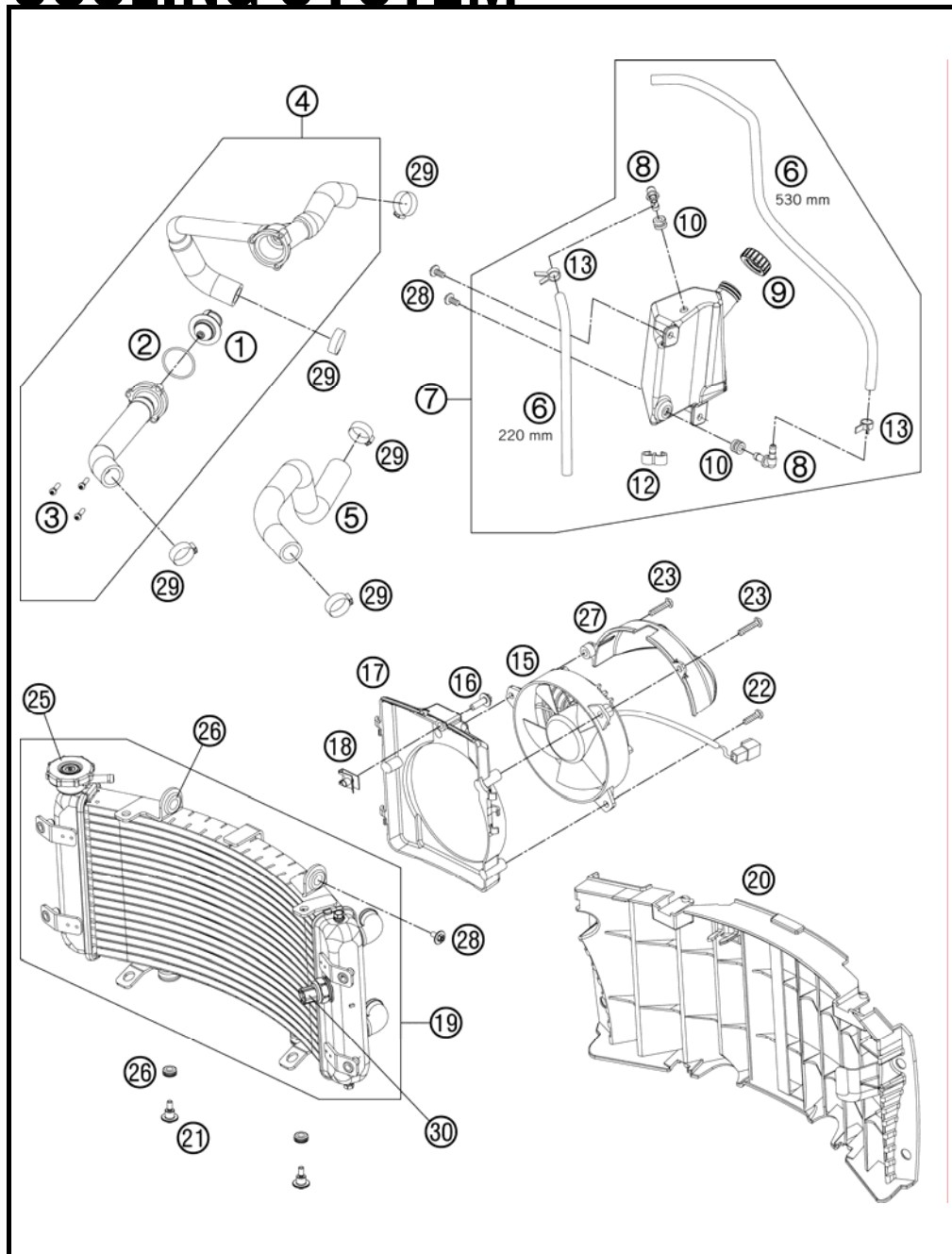


FIG	PART NUMBER	DESCRIPTION	QTY
1	59435017000	THERMOSTAT 70 DEGREE 04	1
2	0770320020	O-RING 32,00X2,00	1
3	0016040183	SCREW FOR PLASTIC D=4X18	3
4	83035090000	COOLING WATER HOSE SYSTEM R/S	1
5	83035027000	PREFORMED HOSE RADIATOR-CYL.	1
6	60035067001	HOSE 6X10 EPDM 03	x
7	83035065000	EXPANSION TANK	1
8	60035068000	ANGLE CONNECTION EXPANS. TANK	2
9	60035066000	PLUG F. EXPANSION TANK	1
10	60035069000	RUBBER GROMMET 6X9X13MM 04	2
12	60038039000	DISTANCE HOLDER 10/10 BLACK	1
13	58031005000	CLAMP YDNAC 10128 12MM	2
15	60035041000	FAN L/S 03	1
16	0024060206	HH COLLAR SCREW M6X20 TX30	1
17	83035041000	FAN COWL ATV	1
18	54603048100	RANGE CHANGE METAL NUT M6	1
19	83035010000	RADIATOR ATV 2008	1
20	83035040000	RADIATOR PROTECTOR	1
21	60035001000	SPECIAL SCREW M6X21 WS=8	2
22	0017060203	EJOT PT SCREW K60X20 WS=6	1
23	0017060303	SPECIAL SCREW T60 6X30 WS=6	2
25	59035009000	RADIAT.CAP 20,3PSI (1,4BAR) 03	1
26	41001052000	RUBBER SLEEVE D=12MM	4
27	83035042000	AIR CONDUCTION COWL ATV	1
28	0024060123	COLLAR SCREW M6X12 TX	4
29	10001020000	HOSE CLAMP GEMI 16-27	5
30	83035045000	THERMOSWITCH 80-85 DG	1

128303530 / C128303530

* NEW PART

X AS REQUIRED

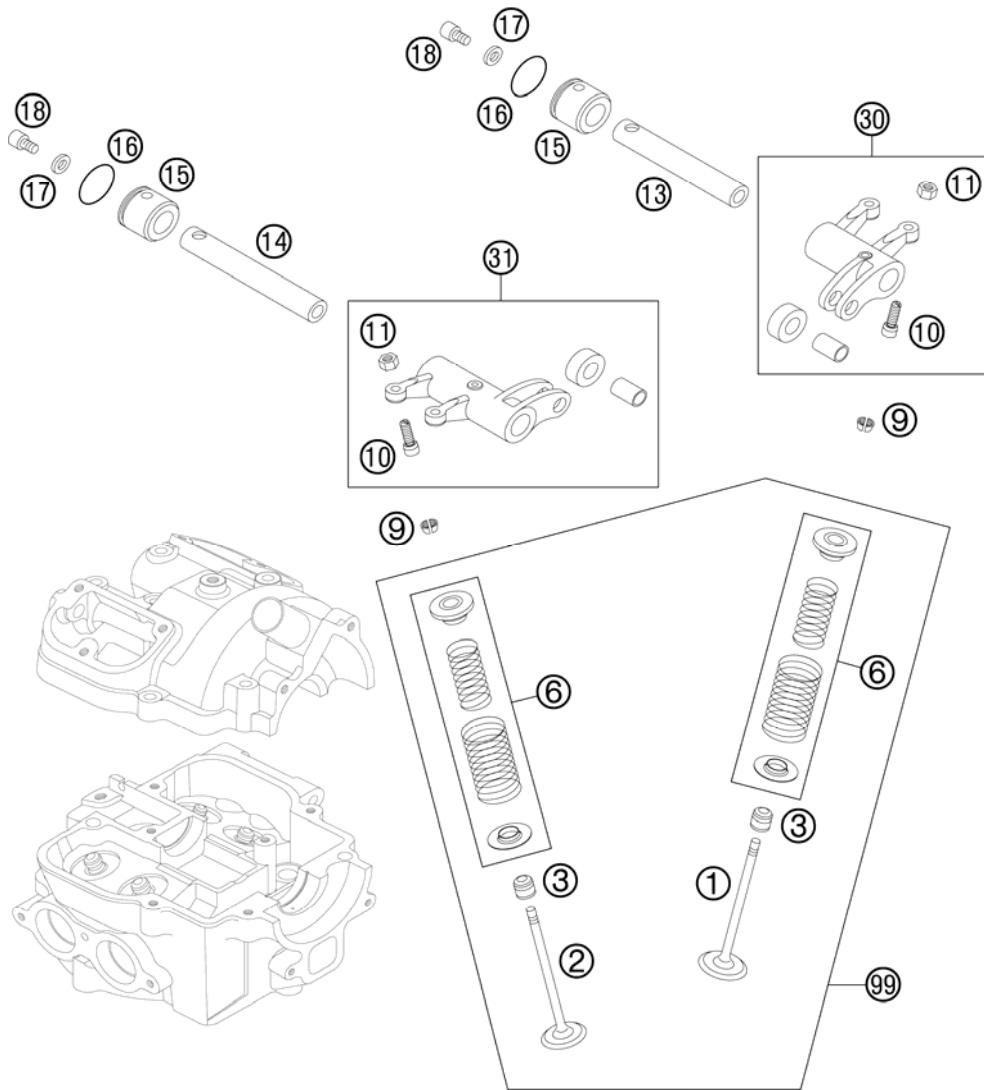


FIG	PART NUMBER	DESCRIPTION	QTY
1	59036030000	INTAKE VALVE D=35MM	2
2	59036031000	EXHAUST VALVE D=30MM	2
3	59036027000	VALVE-STEM SEALING RACING	4
6	83036028044	VALVE SPRING KIT (4X) ATV 2007	1
9	59036033000	VALVE COLLET KK 6 H	8
10	59036062000	ADJUSTMENT SCREW M6X0,75	4
11	59036062100	NUT M6X0,75	4
13	59036056000	ROCKER ARM SHAFT INTAKE	1
14	59036057000	ROCKER ARM SHAFT EXHAUST	1
15	59036061095	END CAP ROCKER ARM SHAFT	2
16	0770191016	O-RING 19,10X1,60 NBR 70	2
17	59036060010	SHIM ALU 5,2X10X2	2
18	0912050083	AH SCREW DIN 912 M 5X8	2
30	59036060144	ROCKER ARM INTAKE CPL.	1
31	59036061144	ROCKER ARM EXHAUST CPL.	1
99	59036030010	VALVE KIT 99-07	x

128303610 / C128303610

* NEW PART

X AS REQUIRED

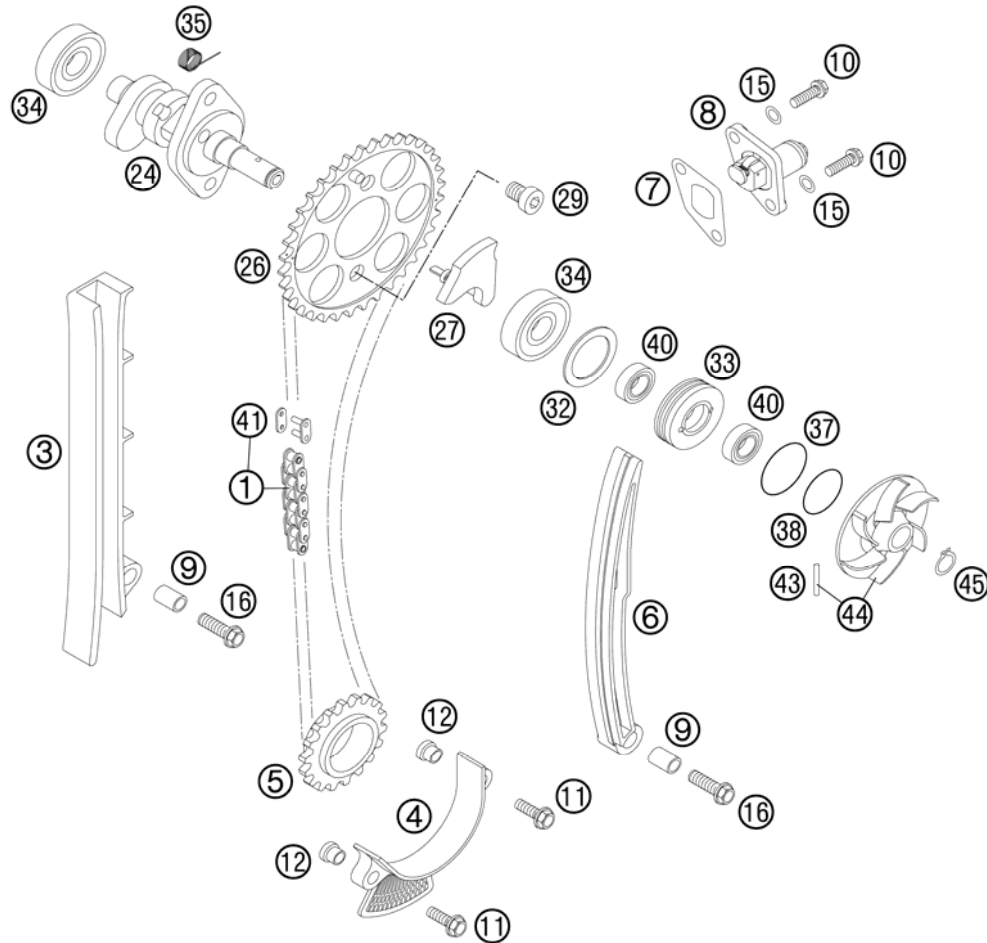


FIG	PART NUMBER	DESCRIPTION	QTY
1	59036013000	TIMING CHAIN 96 ROLLS	1
3	59036001000	TIMING CHAIN GUIDE RACING	1
4	59036018000	SECURING GUIDE RACING	1
5	59036014000	TIMING GEAR 18-T	1
6	59036002000	TIMING CHAIN TENSIONER	1
7	59036003050	GASKET TIMING CHAIN TENSIONER	1
8	59036003000	TIMINGCHAIN TENSIONER CPL.RAC.	1
9	59036001050	SPACER BUSHING 6,1X8,2X13,1	2
10	0025060206	HH COLLAR SCREW M6X20 TX30	2
11	0025050166	HH COLLAR SCREW M5X16 TX30	2
12	59036018050	SUPPORTING SLEEVE 5,2X7X10X7,7	2
15	0603061001	CU-SEAL RING DIN7603-6X10X1	2
16	0025060256	HH COLLAR SCREW M6X25 TX30	2
24	59036010000	CAMSHAFT 590/5521 2000	1
26	59036011100	CAMSHAFT GEAR 2003	1
27	59036016000	AUTO DECOMPRESSION SHAFT	1
29	0984080103	AH SCREW DIN7984-M 8X10	2
32	59036082000	WASHER 26,7X34X1,3	1
33	59036081100	GASKET SUPPORT	1
34	0625062014	BALL BEARING 6201	2
35	59036017000	SPRING FOR AUTODECOMPRESSION	1
37	0770291016	O-RING 29,10X1,60 NBR 70	1
38	0770020220	O-RING 25,12X1,78 NBR70	1
40	0760101844	SHAFT SEAL RING 10X18X4 BSL V.	2
41	59036013050	RIVET LINK FOR TIMING CHAIN	1
43	0402031780	NEEDLE ROL.DIN5402 NRB 3X17,8	1
44	59035055144	WATER PUMP WHEEL CPL. RAC.2001	1
45	0471100010	CIRCLIP DIN0471-10X1	1

128303620 / C128303620

* NEW PART

X AS REQUIRED

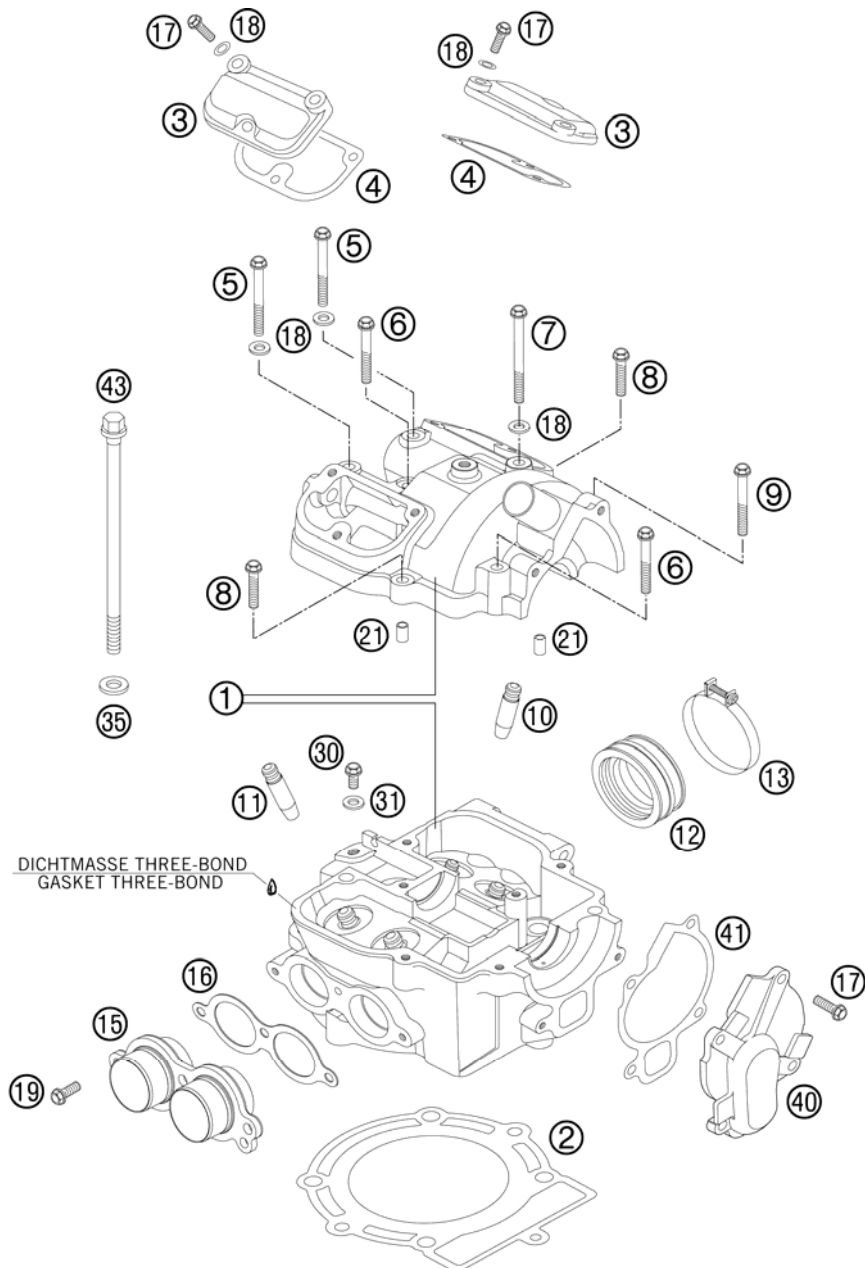


FIG	PART NUMBER	DESCRIPTION	QTY
1	83036020144	CYLINDER HEAD CPL. ATV 07	1
2	59030036000	CYLINDER HEAD GASKET 95,3 MM	1
3	58036052200	VALVE COVER REAR	2
4	58036053000	VALVE COVER GASKET	2
5	0015060556	HH COLLAR SCR. M6X55 WS=8 10,9	2
6	0025060456	HH COLLAR SCREW M6X45 TX30	2
7	0025060756	HH COLLAR SCREW M6X75 TX30	1
8	0025060306	HH COLLAR SCREW M6X30 TX30	2
9	0025060506	HH COLLAR SCREW M6X50 TX30	1
10	59036025101	VALVE GUIDE INTAKE	2
11	59036026101	VALVE GUIDE EXHAUST	2
12	59436044244	RUBBER SLEEVE CPL.	1
13	59030061000	CLAMP D=56MM B=9MM M4X25	2
15	59436039000	EXHAUST FLANGE CPL. 450/525 03	1
16	59036041000	GASKET EXHAUST FLANGE	1
17	0025060206	HH COLLAR SCREW M6X20 TX30	10
18	0603061001	CU-SEAL RING DIN7603-6X10X1	9
19	0025060166	HH COLLAR SCREW M6X16 TX30	3
21	59030023000	DOWEL 6X8X11,5	2
30	59036006090	VENT SCREW M6X10 CPL.	1
31	58036065100	CU-SEAL RING 6 X 10 X 2	1
35	59036090000	WASHER 10,8X18,8X1,5	4
40	59035052000	WATER PUMP COVER RACING 2000	1
41	59035053000	WATER PUMP COVER GASKET 0,8MM	1
43	59036079100	CYL. HEAD SCREW M10X158 WS=13	4

128303630 / C128303630

* NEW PART

X AS REQUIRED

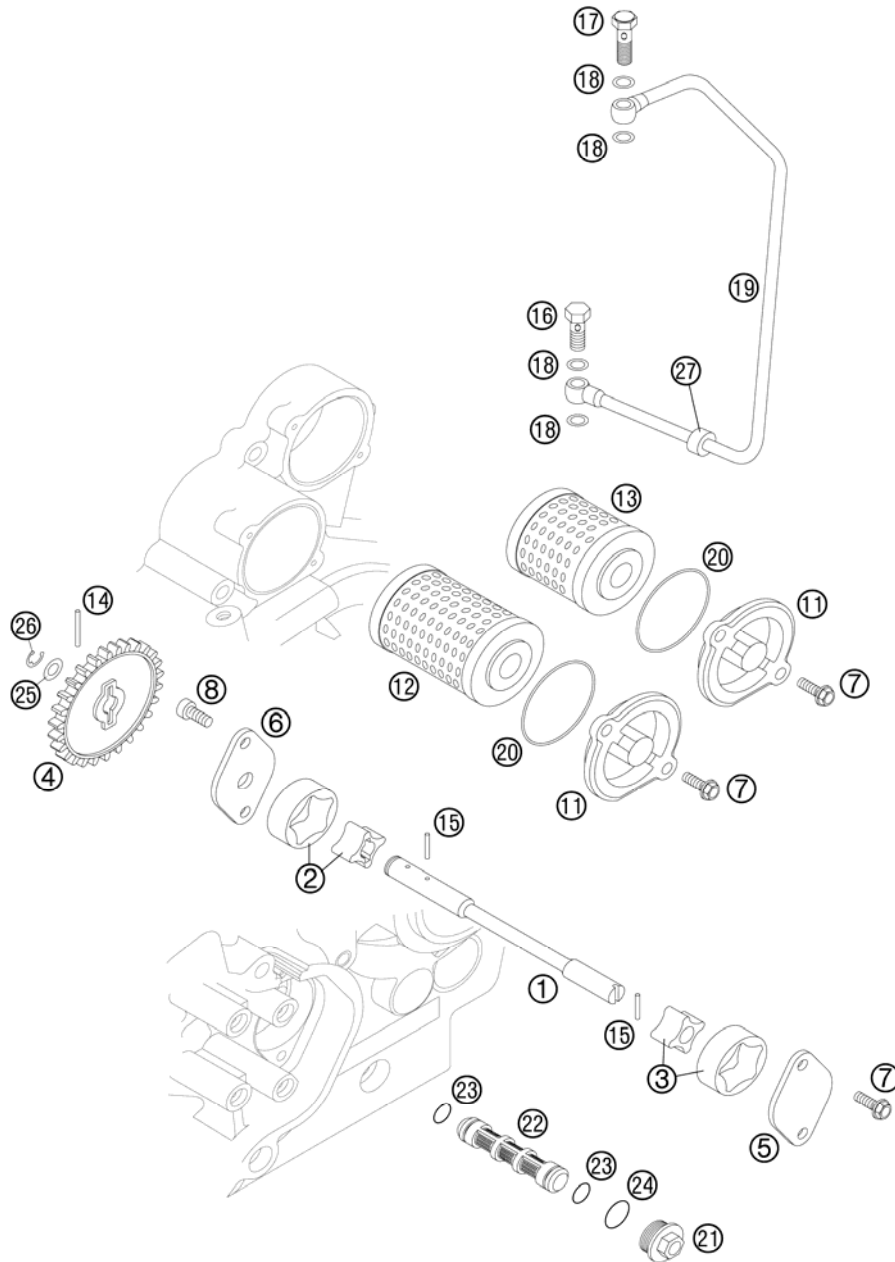


FIG	PART NUMBER	DESCRIPTION	QTY
1	83038002000	OIL PUMP SHAFT	1
2	59038011010	OILPUMP ROTOR CPL. 10MM G-73R	1
3	77038011000	OILPUMP ROTOR 15MM G-164	1
4	58438001000	OIL PUMP GEAR 26-T	1
5	59038004000	OIL PUMP COVER L/S	1
6	59038003000	OIL PUMP COVER R/S 8MM	1
7	0025050166	HH COLLAR SCREW M5X16 TX30	6
8	0984050122	AH SCREW DIN6912-M 5X12	2
11	59038041000	OIL FILTER COVER RACING	2
12	59038005100	OIL FILTER LONG	1
13	59038046144	OIL FILTER SHORT WITH GASKET	1
14	0402251980	NEEDLEROL.DIN5402 NRA 2,5X19,8	1
15	0402251180	NEEDLE ROLLER DIN5402 2,5X11,8	2
16	58038029000	BANJO BOLT M8X1	1
17	59038029000	JET SCREW "100" M8X1 WS=12	1
18	0603802121	SEAL RING CU DIN7603- 8X12X1	4
19	59038035000	OIL LINE STEEL CASE-CYL.HEAD	1
20	0770400025	O-RING 40,00X2,50 NBR 70	2
21	59038017000	PLUG M20X1,5 WS=13	1
22	59038016100	OIL SCREEN	1
23	0770125015	O-RING 12,5X1,5 NBR	2
24	0770020170	O-RING 17,17X1,78 GLO	1
25	58038007755	STOP DISK 8,1 X 15 X 0,5	1
26	0799060000	TAB WASHER DIN6799-RS 6,0	1
27	58405098000	RUBBERBUFFER 8X17X10 SILENC'97	1

128303810 / C128303810

* NEW PART

X AS REQUIRED

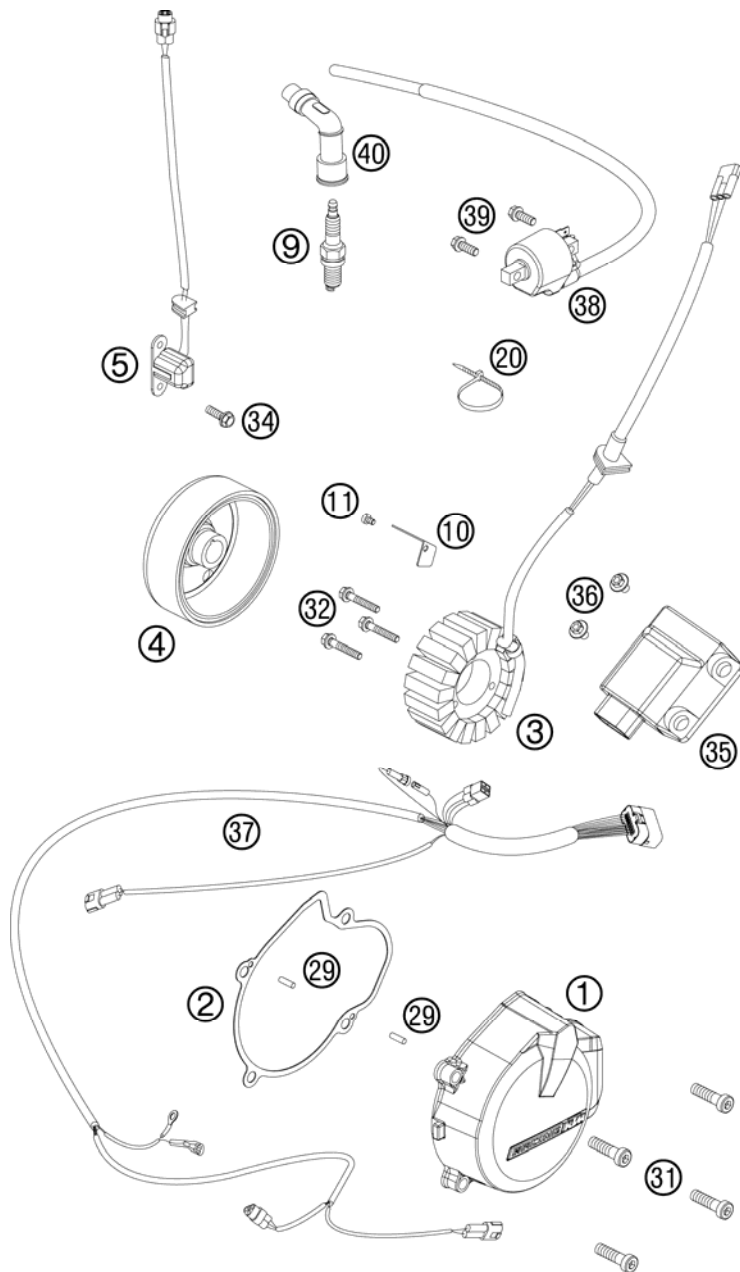


FIG	PART NUMBER	DESCRIPTION	QTY
1	8303000220025	IGNITION COVER GREY	1
2	83030040000	IGNITION COVER GASKET	1
3	83039004000	STATOR	1
4	83039005000	ROTOR	1
5	59039034000	PULSER COIL KOKUSAN 4K3-A/B	1
9	59039093100	SPARK PLUG NGK DCPR8E 03	1
10	59030002050	SUPPORT FOR WIRE	1
11	0084040063	CYL.HEAD SCREW DIN0084-M 4X 6A	1
20	44011076140	CABLE TIE 140/2,5MM BLACK	x
29	0402040980	NEEDLE ROL.DIN5402 NRB 4X9,8	2
31	0012080303	AH SCREW DIN6912-M 8X30	4
32	0025060306	HH COLLAR SCREW M6X30 TX30	3
34	0025050166	HH COLLAR SCREW M5X16 TX30	2
35	83039031100	CDI-BOX ATV 525	1
36	0023060123	COLLAR SCREW M6X12 TX	2
37	83039032000	WIRING HAR. F. CDI-BOX 525 ATV	1
38	59039006000	IGNITIONCOIL "IG5128"	1
39	0025060166	HH COLLAR SCREW M6X16 TX30	2
40	59039090100	SPARK PLUG CONNECT. VD05EG 03	1

128303910 / C128303910

* NEW PART

X AS REQUIRED

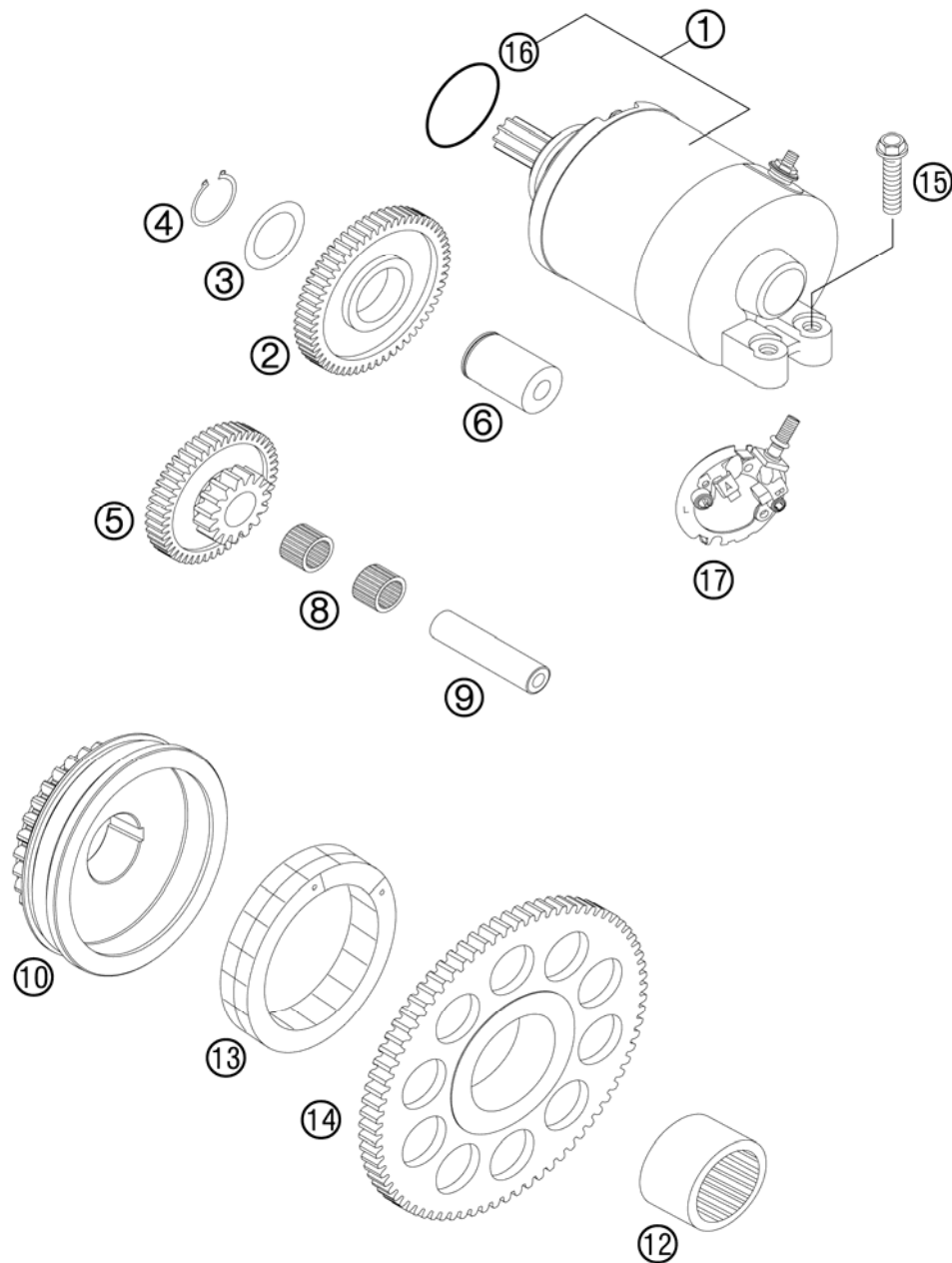
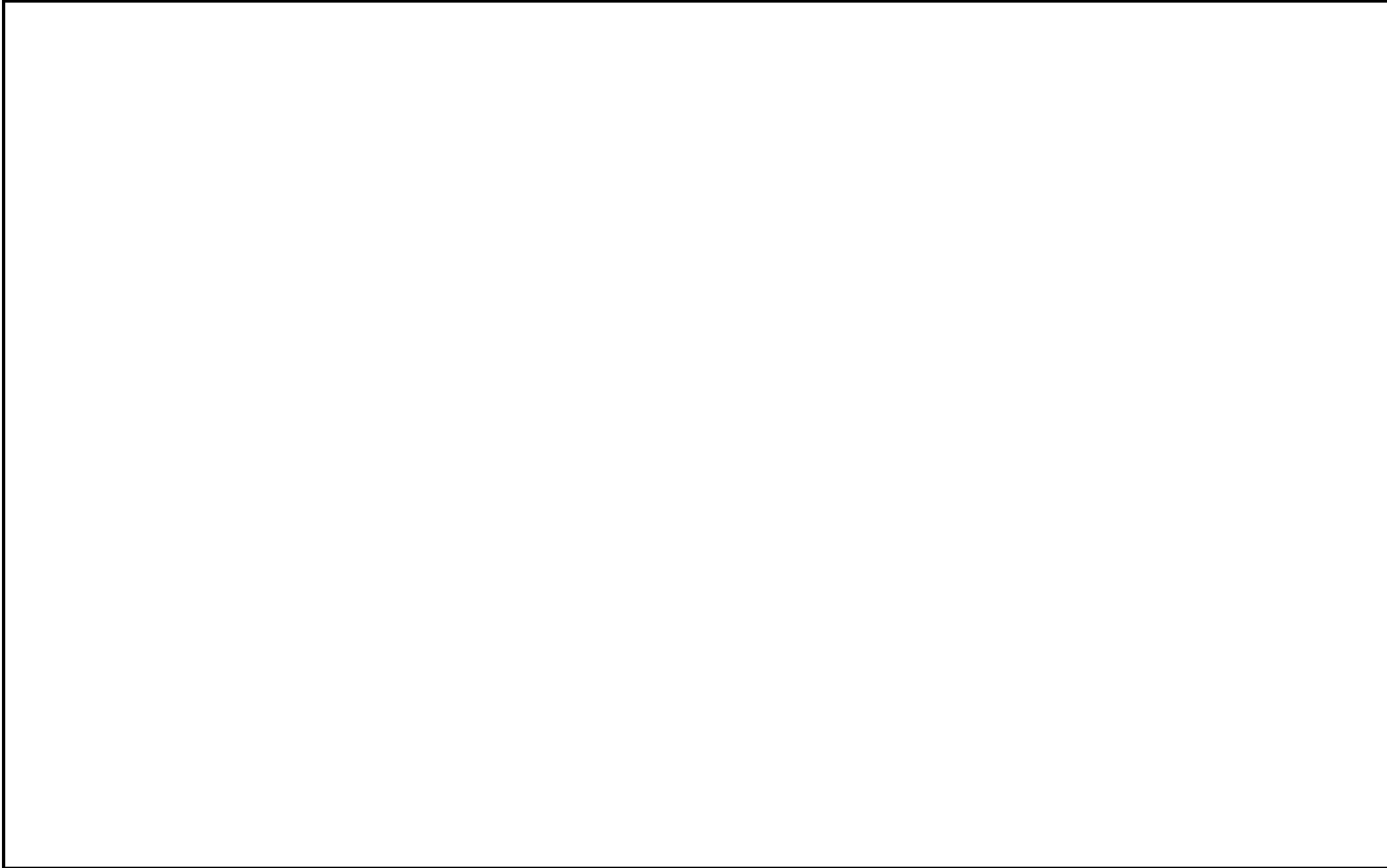


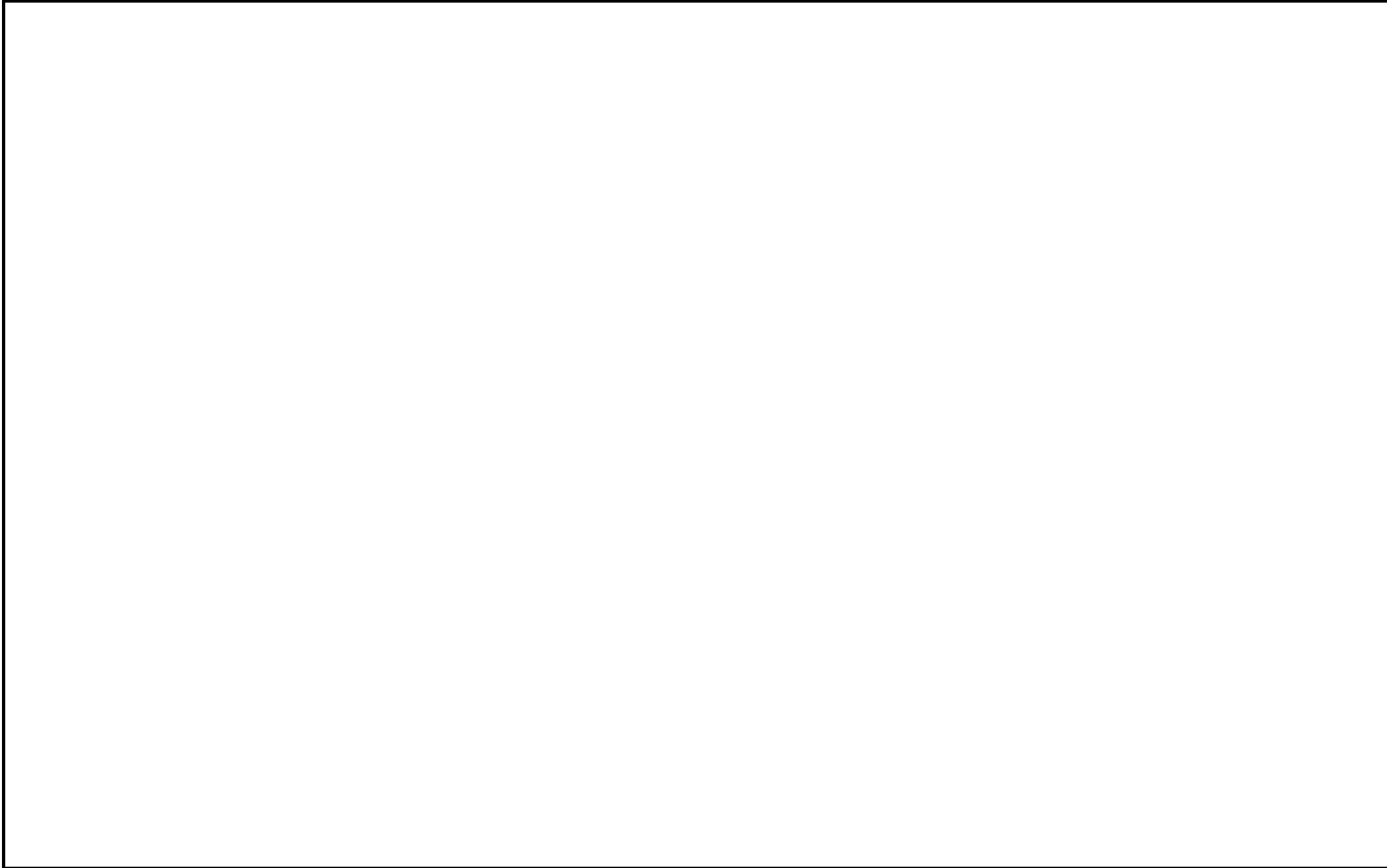
FIG	PART NUMBER	DESCRIPTION	QTY
1	59040001000	E-STARTER ENGINE KPL. 0,45 KW	1
2	59040022258	GEAR WHEEL	1
3	54633090000	STOP DISK 17,2X25X1	1
4	0471170010	CIRCLIP DIN0471-17X1	1
5	59040016000	TORQUE LIMITER 06	1
6	59040028000	BUSHING PIN	1
8	0405101310	NEEDLE BEARING K 10X13X10 02	2
9	59040029000	BEARING BOLT	1
10	83032022031	PRIMARY GEAR 31T CPL.	1
12	0618301617	NEEDLE BEARING HK 3016 B	1
13	58440026000	FREE-WHEEL FWD 332008 BLS	1
14	59040020175	FREEWHEEL GEAR	1
15	0025060206	HH COLLAR SCREW M6X20 TX30	2
16	0770250030	O-RING 25,00X3,00 NBR 70	1
17	78040002000	BRUSH HOLDER F. STARTER	1

128304010 / C128304010

* NEW PART

X AS REQUIRED







KTM-Sportmotorcycle AG
A-5230 Mattighofen
www.ktm.at

KTM Group Partner



3CM089605LEN



Art.Nr.: 3CM089605LEN 8/2011